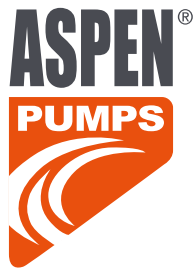




# product guide

The most complete range of ancillary essentials designed specifically for the HVAC/R industry





Pump range & selector

4-5

**i<sup>4</sup> PUMPS**



Micro-v i<sup>4</sup>

6-7

**SILENT+ PUMPS**



Silent+ Mini Orange

9

Silent+ Mini Aqua

11

Silent+ Mini Lime

13

**MINI PUMPS**



Mini Orange®

15

Mini Aqua®

17

Mini Blanc®

19

Maxi Orange

20

Maxi Lime

21

**TANK PUMPS**



Mini Tank

23

MAX Hi-Flow

25

Hi-lift 1L & 2L

26

Heavy Duty 6 & 10

27

Hot Water Economy

28

Hot Water Heavy Duty

29

**PERISTALTIC PUMPS**



Universal

31

Standard

32

MK4

33

Mechanical

34

**SUPERMARKET PUMPS**



Low Profile ERRP

37

ERRP

38

Cold Cabinet

39

Macerator 4L & 10L

40

**BOILER PUMPS**



Kitchen

43

Compact

44

Alarm

45

Hi-Capacity

46



**HVAC/R ANCILLARIES**

Contents 49

Pipe Support 50-64

Controls 65-66

Condenser Support 67-72

Condensate Management 73-77

Servicing 78-81

Ancillaries 82-84



**BIG FOOT SYSTEMS SUPPORT**

Contents 85

Ancillaries 86-93

AC support 94-102

AHU support 104-107




Chiller support 108-111




Safe Access Range 112-115



# Pump Selector

	System Type							Duty @ 50Hz				Mounting						
	Cassette	Wall mount	Ducted	Under ceiling	Humidifier	De-humidifier	Floor type	Max. flow (L/hr)	Max. rec. head (m)	Suction lift (m)	Sound dB(A)	Max. kW / Btu's*	Trunking	In unit	Remotely	Below unit		
<b>Silent+</b>	<b>Micro-v i<sup>4</sup></b> (100-250V)	•	•	•			•	14.5	10	2	19	19.3 / 66k	✓			-		
	<b>Mini Orange</b> (230V)	•	•	•										✓				
	<b>Mini Lime</b> (230V)	•	•	•				12			-	21	16 / 54k	✓	-			
	<b>Mini Aqua</b> (230V)	•	•	•			•				2	19		✓				
<b>Mini</b>	<b>Mini Orange</b> (230V)	•	•	•				12	10	2	21	16 / 54k	✓					
	<b>Maxi Orange</b> (230V)	•	•	•				35	15		35	46 / 157k	-		✓			
	<b>Maxi Lime</b> (230V)	•	•	•						-			✓	-				
	<b>Mini Aqua</b> (230V)	•	•	•			•		12	10	2	21	16 / 54k	✓				
	<b>Mini Blanc</b> (230V)	•								-			-			✓		
<b>NEW!</b> <b>Tank</b>	<b>Mini Tank</b> (230V)		•				•	35	15		35	46 / 157k	-	✓	-			
	<b>Max Hi-Flow</b> (230V)	•	•					550	5		44	733 / 2.5m						
	<b>Hi-Lift 1L &amp; 2L</b> (230V)	•	•					11	12		51	14 / 47k						
	<b>Heavy Duty 6</b> (230V)	•						900	6	-	60	1200 / 4m				✓		
	<b>Heavy Duty 10</b> (230V)	•						1070	9		64	1460 / 4.9m						
	<b>HW Economy</b> (230V)					•		900	7		60	1200 / 4m						
	<b>Hot Water HD</b> (230V)					•		1800	15		63	2400 / 8m						
<b>Peristaltic</b>	<b>Universal</b> (230V)		•	•	•													
	<b>Standard</b> (230V)		•	•	•													
	<b>Mk4</b> (230V)		•	•	•			6.5	12	3	47	8.5 / 29k	-	✓	✓			
	<b>Mechanical</b> (230V)		•	•	•													

	System Type		Duty @ 50Hz				Mounting	
	 Dairy case	 Chillers	Max. flow (L/hr)	Max. rec. head (m)	Sound dB(A)	Max. kW / Btu's*	In unit	Below unit
<b>Supermarket</b> 	Low profile ERRP (230V)		190	21	60	-	✓	✓
	ERRP (230V)		225	35		-		
	Cold Cabinet (230V)	✓				-		
	Macerator 4L (230V)		780	8.5	64	-		
	Macerator 10 L (230V)					-		

	Condensing Boiler Type		Duty @ 50Hz				Mounting	
	 Gas	 Oil	Max. flow (L/hr)	Max. rec. head (m)	Sound dB(A)	Max. kW / Btu's*	Wall	Floor
<b>Boiler</b> 	Kitchen (230V)		12	10	21	45 / 153k	✓	-
	Compact (230V)	-	35	15	35	85 / 290k		✓
	Alarm (230V)	✓	300	3.2	60	100 / 341k		✓
	Hi-Capacity (230V)	✓	288	5	60	200 / 682k		✓

\*Water quantity based on cooling capacity may vary geographically

What is univolt?

A Univolt pump can be used on any AC voltage power supply across the globe.





- No breather tube
- Soft start
- Multi orientation
- i<sup>4</sup> technology built in

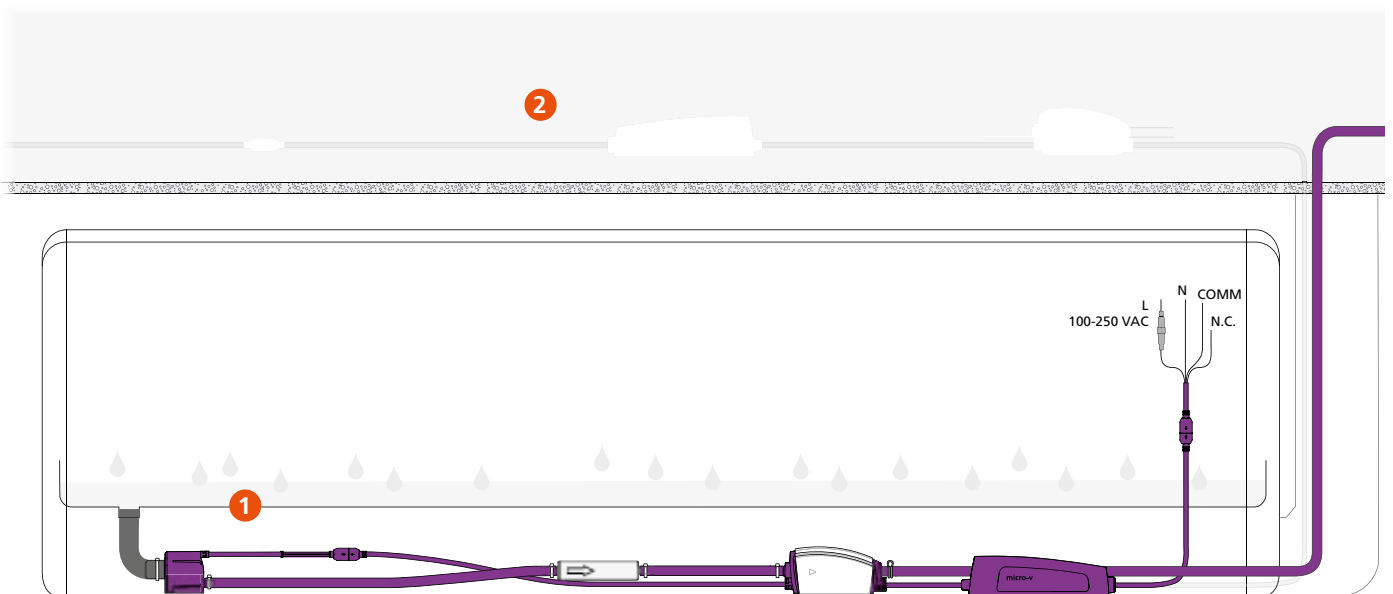
# Micro-v<sup>i4</sup>: no breather tube and soft start

The award-winning Micro-v condensate removal pump with no breather tube fits into the smallest of spaces. On-demand operation and floatless technology delivers silent running and a longer pump life.

- No breather tube
- Small multi orientation sensor with visual pump status diagnostics
- Unrivalled controlled soft start function for truly quiet running and prolonged pump life
- **i<sup>4</sup> technology** built in – installation, operation & maintenance even easier
- All backed by a 2 year maintenance free warranty!



Micro-v i<sup>4</sup>



1 In the AC unit      2 In the ceiling

Information correct at time of going to press.



AIR CONDITIONING



REFRIGERATION



HEATING



# Micro-v <sup>i4</sup>

## INTELLIGENT CONDENSATE REMOVAL PUMP

The award-winning Micro-v condensate removal pump with no breather tube, fits into the smallest of spaces. On-demand operation and floatless technology delivers silent running and a longer pump life.



14.5L/h max. flow



10m max. rec. head (flow rate 6L/h)



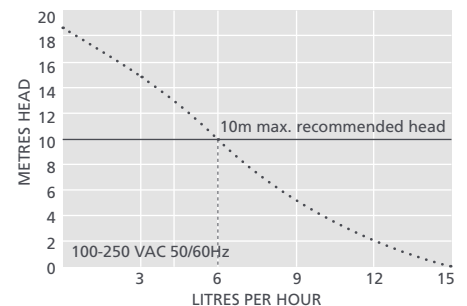
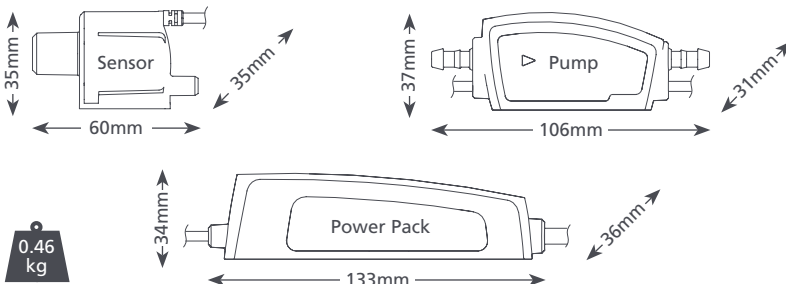
19dB(A) @ 1m

### KEY FEATURES

- No breather tube
- Soft start
- Small multi orientation sensor
- Plug & Play
- Univolt

### SUITABILITY

- Up to 19.3kW / 66,000Btu/h
- High wall split systems; Ducted units; Floor standing & Chassis units
- ✓ **Perfect for...** installing directly inside the unit



MICRO-V i <sup>4</sup> @ 100-250 VAC 50/60Hz	
Max. flow	14.5L/h @ 0 head
Max. rec. head	10m
Max. suction lift	2m
dB(A) @ 1m	19
Power supply	100-250 VAC, 0.45A, 50/60Hz
Rated Class	Continuous II appliance <input type="checkbox"/>
Max. unit output	19.3kW / 66,000Btu/h
Max. water temp	40°C / 104°F
Discharge tube	6mm ID
IP Protection	IP24
Safety switch	3.0A Normally closed
Thermal protection	✓
Fully potted	✓
Self priming	✓

MICRO-V i <sup>4</sup> OPTIONS	
Micro-v i <sup>4</sup> (Europe)	FP1200

SUGGESTED XTRA ACCESSORIES	
Description	Part No.
Rubber adaptor	FP2002
90° long arm bend	FP2006
Tube To Soil Stack Adaptor	FP2038

**IN THE BOX**

Micro-v i<sup>4</sup> pump includes: Water sensor fitted with 850mm interface cable terminated with a plug (removable sensor bracket attached)

- Adaptive pump fitted with 1m interface cable and 1m x 6mm violet tube (anti siphon device fitted)
- Universal voltage power supply fitted with 200mm plug and play fly lead connected to 1.4m power cable combined power and high water level cores
- AV Pump bracket & sleeve
- 1 amp fuse
- Inline filter
- 90° elbow drain connector & fixing kit
- Install manual

Download manual at [aspenspumps.com](http://aspenspumps.com)  
View install video at [aspenspumps.com](http://aspenspumps.com)

[www.aspenpumps.com/microv.html](http://www.aspenpumps.com/microv.html)  
[www.aspenpumps.com/i4.html](http://www.aspenpumps.com/i4.html)

For more installation accessories take a look at our Aspen Xtra range

Information correct at time of going to press.



[aspenspumps.com](http://aspenspumps.com)

+44 (0)1323 848842

[sales@aspenspumps.com](mailto:sales@aspenspumps.com)

reliable | silent | simple

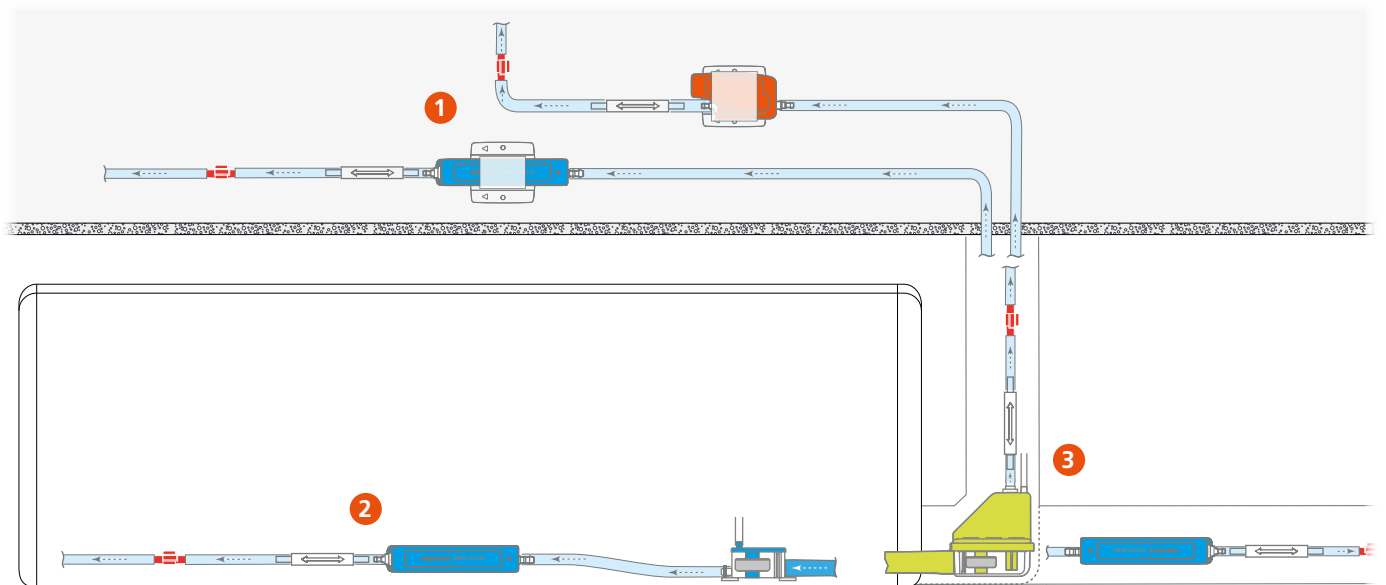


- Whisper quiet
- Acoustic damper
- Small & powerful
- Plug & play

# Silent+

## low sound, high performance

Today end users are demanding quieter air conditioning pumps in areas such as offices and hotels. Silent+ pumps are perfectly suited for these types of applications. The Silent+ range is designed around a 'total system approach' to ensure they operate as quietly as possible without compromising on performance.



1 In the ceiling (Note: anti vibration bracket)

2 In the AC unit

3 Within the trunking

Information correct at time of going to press.



AIR CONDITIONING



REFRIGERATION



HEATING



# silent+ MINI ORANGE

## CONDENSATE REMOVAL PUMP



The world's no.1 mini pump becomes the quietest in its class! Featuring an acoustic damper, anti vibration tubing & bracket, the Silent+ Mini Orange is whisper quiet.



12L/h max. flow



10m max. rec. head  
(flow rate 6L/h)



19dB(A) @ 1m

### KEY FEATURES

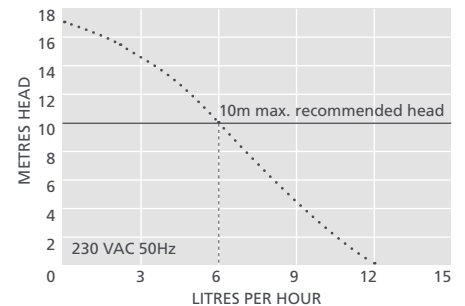
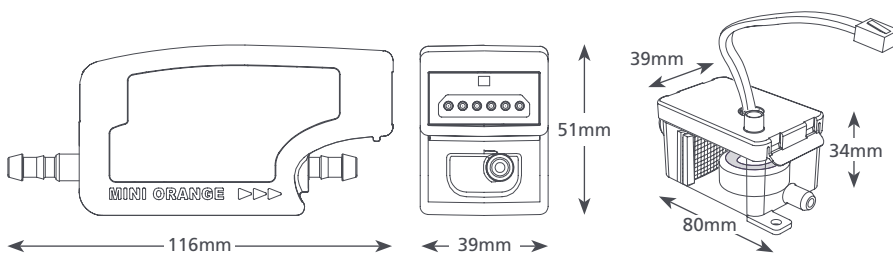
- Quietest in its class
- Submersible secondary reservoir included
- Plug & play

### SUITABILITY

- Up to 16kW / 54,000Btu/h
- Ducted units; Floor standing & Chassis units; High wall split systems



0.25 kg†



### SILENT+ MINI ORANGE @ 230 VAC 50Hz

Max. flow	12L/h @ 0 head
Max. rec. head	10m
Max. suction lift	2m
dB(A) @ 1m	19
Power supply	230 VAC, 0.11A, 16W 50/60Hz
Rated Class	Non continuous II appliance <input type="checkbox"/>
Max. unit output	16kW / 54,000Btu/h
Max. water temp	40°C / 104°F
Discharge tube	6mm ID
IP Protection	IP21
Safety switch	3.0A Normally closed
Thermal protection	✓
Fully potted	✓
Self priming	✓

### SILENT+ MINI ORANGE OPTIONS

Silent+ Mini Orange	FP3313
† Pump only	

### SUGGESTED XTRA ACCESSORIES

Description	Part No.
1 Amp Fuse	FP2620
Tube To Soil Stack Adaptor	FP2038
Vinyl Tube Braided 1/4" (6mm)	AX5100
Inline Filter 16mm	FP2640
4.3m mini/maxi orange extension kit	FP2940

### IN THE BOX

Silent+ Mini Orange pump • 1.5m Plug & play power cable • Acoustic damper and 1m orange discharge tube with connector • Anti vibration bracket • Reservoir • Reservoir lid with 1.5m sensor cable • Submersible reservoir • Anti siphon device • Float & filter • 1.5m Suction tube 6mm ID • 220mm Orange inlet hose 14mm ID • 150mm Vinyl breather tube 6mm ID • Drain connector kit • Fixing kit • Install manual

- Download manual at [aspenspumps.com](http://aspenspumps.com)
- View install video at [aspenspumps.com](http://aspenspumps.com)



For more installation accessories take a look at our Aspen Xtra range

Information correct at time of going to press.



[aspenspumps.com](http://aspenspumps.com)

+44 (0)1323 848842

[sales@aspenspumps.com](mailto:sales@aspenspumps.com)

reliable | silent | simple





Naturally fitting inside the A/C unit and with an incredibly low operating noise level, you can be sure your client will enjoy a stress free A/C system.





AIR CONDITIONING



REFRIGERATION



HEATING



# silent+ MINI AQUA

## CONDENSATE REMOVAL PUMP

Combining Silent+ technology and the slimmest mini pump on the market, the Silent+ Mini Aqua leads the way in innovation.



12L/h max. flow



10m max. rec. head  
(flow rate 6L/h)



19dB(A) @ 1m

### KEY FEATURES

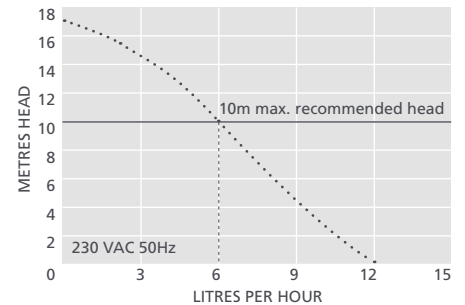
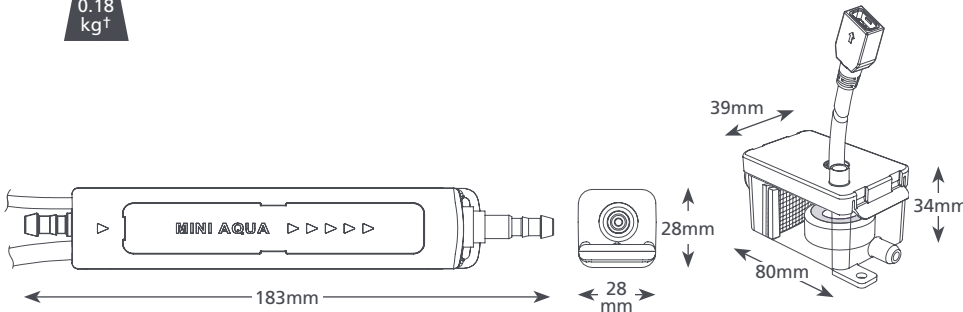
- Quietest in its class
- Acoustic damper
- Plug & play
- Anti siphon device

### SUITABILITY

- Up to 16kW / 54,000Btu/h
- Ducted units; Floor standing & Chassis units; High wall mini split systems
- ✓ **Perfect for...** Small & quiet – you'll never know it's there!



0.18 kg†



### SILENT+ MINI AQUA @ 230 VAC 50Hz

Max. flow	12L/h @ 0 head
Max. rec. head	10m
Max. suction lift	2m
dB(A) @ 1m	19
Power supply	230 VAC, 0.1A, 16W, 50/60Hz
Rated Class	Non continuous II appliance <input type="checkbox"/>
Max. unit output	16kW / 54,000Btu/h
Max. water temp	40°C / 104°F
Discharge tube	6mm ID
IP Protection	IP24
Safety switch	3.0A Normally closed
Thermal protection	✓
Fully potted	✓
Self priming	✓

### SILENT+ MINI AQUA OPTIONS

Silent+ Mini Aqua	FP3326
† Pump only	

### SUGGESTED XTRA ACCESSORIES

Description	Part No.
1 Amp Fuse	FP2620
Tube To Soil Stack Adaptor	FP2038
Vinyl Tube Braided 1/4" (6mm)	AX5100
Inline Filter 16mm	FP2640



For more installation accessories take a look at our Aspen Xtra range

### IN THE BOX

- Silent+ Mini Aqua pump
- Reservoir (inc. filter, float, lid)
- 1.5m Plug & play power cable
- Acoustic damper and 1m aqua discharge tube with connector
- Anti vibration bracket
- 150mm Vinyl breather tube 6mm ID
- Anti siphon device
- 1.5m Suction tube 6mm ID
- 220mm Blue inlet hose 14mm ID
- Drain connector kit
- Fixing kit
- Install manual

- 📖 Download manual at [aspenpumps.com](http://aspenpumps.com)
- ▶ View install video at [aspenpumps.com](http://aspenpumps.com)

Information correct at time of going to press.



[aspenpumps.com](http://aspenpumps.com)

+44 (0)1323 848842

[sales@aspenpumps.com](mailto:sales@aspenpumps.com)

reliable | silent | simple



Silent+ Mini Lime sits in the trunking elbow. Perfect for commercial use and retrofit installs.



AIR CONDITIONING



REFRIGERATION



HEATING



# silent+ MINI LIME

## CONDENSATE REMOVAL PUMP

The Silent+ Mini Lime is designed around a 'total system approach' and includes many features to create a truly silent system. Perfect for offices and meeting rooms. ('Pump only pack' also available).



12L/h max. flow



10m max. rec. head  
(flow rate 6L/h)



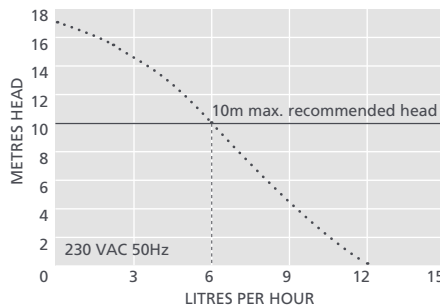
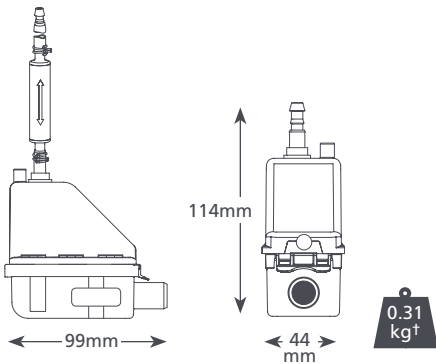
21dB(A) @ 1m

### KEY FEATURES

- Acoustic damper
- Pump sits in trunking elbow
- Left or right install
- Range of trunking systems

### SUITABILITY

- Up to 16kW / 54,000Btu/h
- High wall split systems
- ✓ **Perfect for...** Commercial use where silence is important



### SUGGESTED XTRA ACCESSORIES

Description	Part No.
1 Amp Fuse	FP2620
Tube To Soil Stack Adaptor	FP2038
Vinyl Tube Braided 1/4" (6mm)	AX5100



For more installation accessories take a look at our Aspen Xtra range

### SILENT+ MINI LIME @ 230 VAC 50Hz

Max. flow	12L/h @ 0 head
Max. rec. head	10m
Max. suction lift	n/a
dB(A) @ 1m	21
Power supply	230 VAC, 0.1A, 16W, 50/60Hz
Rated Class	Non continuous II appliance <input type="checkbox"/>
Max. unit output	16kW / 54,000Btu/h
Max. water temp	40°C / 104°F
Discharge tube	6mm ID
IP Protection	IP24
Safety switch	3.0A Normally closed
Thermal protection	✓
Fully potted	✓
Self priming	✓

### SILENT+ MINI LIME SYSTEM OPTIONS

System	Colour	Part No.
Slimline	○ Ivory	FP3312
"	○ White	FP3319
BBJ (SpeedyDuct)	○ Ivory	FP3316
"	○ White	FP3320
Inoac	○ Ivory	FP3317
"	○ White	FP3321
Artiplastic	○ Ivory	FP3315
Optimal (EU ONLY)	○ White	FP3327
Silent+ Mini Lime Replacement†		FP3322

† Pump only – no trunking included

### IN THE BOX

Silent+ Mini Lime pump (including 1.5m hard wired power cable) • Acoustic damper and 1m lime discharge tube with connector • 500mm Lime green inlet hose 14mm ID • 40mm Vinyl breather tube 6mm ID • Anti siphon device • Elbow front and back • 800mm Conduit front and back • Internal conduit sleeve (Slimline system only) • Gasket (Slimline, BBJ and Inoac/Inaba systems only) • Ceiling plate • Drain connector kit • Fixing kit • Install manual



Download manual at [aspenpumps.com](http://aspenpumps.com)



View install video at [aspenpumps.com](http://aspenpumps.com)

Information correct at time of going to press.



[aspenpumps.com](http://aspenpumps.com)

+44 (0)1323 848842

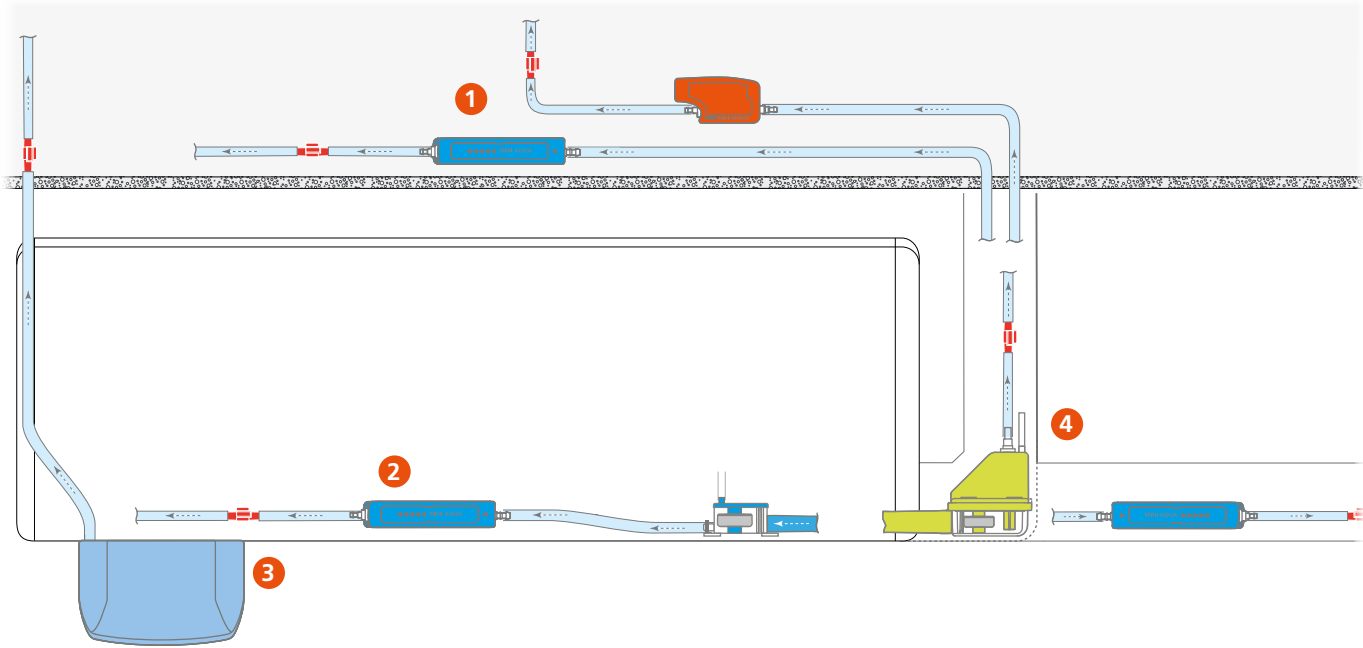
[sales@aspenpumps.com](mailto:sales@aspenpumps.com)

reliable | silent | simple

- Small & powerful
- Quiet & reliable
- Market leading
- Plug & play

# Mini pumps Maximum power

Since the launch of the best selling Mini Orange, Aspen has become the global leader for mini condensate pumps. Mini pumps operate on a float switch mechanism which detects the presence of water in the drain pan, activating the pump. Aspen offer the most complete and high performance range of mini pumps in the world.



1 In the ceiling    2 In the AC unit    3 Below the AC unit    4 Within the trunking



AIR CONDITIONING



REFRIGERATION



HEATING



# Mini Orange<sup>®</sup>

CONDENSATE REMOVAL PUMP



The world's best selling mini pump offers unrivalled reliability and performance.



12L/h max. flow



10m max. rec. head (flow rate 6L/h)



21dB(A) @ 1m

### KEY FEATURES

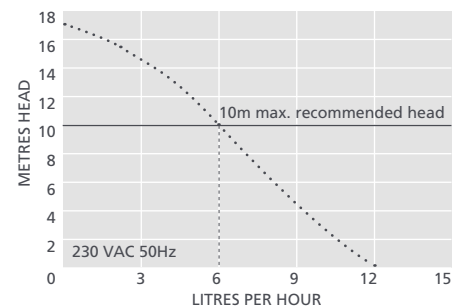
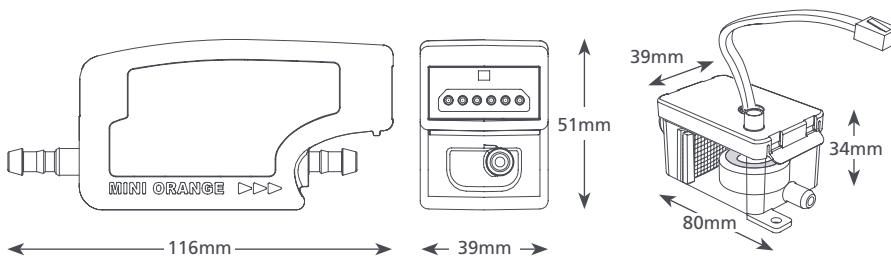
- Submersible secondary reservoir included
- Plug & play
- Anti siphon device

### SUITABILITY

- Up to 16kW / 54,000Btu/h
- High wall split systems; Ducted units; Floor standing & Chassis units
- ✓ **Perfect for...** Smaller commercial & domestic units



0.25 kg†



MINI ORANGE @ 230 VAC 50Hz	
Max. flow	12L/h @ 0 head
Max. rec. head	10m
Max. suction lift	2m
dB(A) @ 1m	21
Power supply	230 VAC, 0.11A, 16W, 50/60Hz
Rated Class	Non continuous II appliance <input type="checkbox"/>
Max. unit output	16kW / 54,000Btu/h
Max. water temp	40°C / 104°F
Discharge tube	6mm ID
IP Protection	IP21
Safety switch	3.0A Normally closed
Thermal protection	✓
Fully potted	✓
Self priming	✓

MINI ORANGE OPTIONS	
Mini Orange (Europe)	FP2212
† Pump only	

IN THE BOX
Mini Orange pump • 1.5m Plug & play power cable • Reservoir • Reservoir lid with 1.5m sensor cable • Submersible reservoir • Anti siphon device • Float & filter • 1.5m Suction tube 6mm ID • 220mm Orange inlet hose 14mm ID • 150mm Vinyl breather tube 6mm ID • Drain connector kit • Fixing kit • Install manual

### SUGGESTED XTRA ACCESSORIES

Description	Part No.
1 Amp Fuse	FP2620
Tube To Soil Stack Adaptor	FP2038
Vinyl Tube Braided 1/4" (6mm)	AX5100
4.3m Mini/Maxi orange extension kit	FP2940

Download manual at [aspenspumps.com](http://aspenspumps.com)  
 View install video at [aspenspumps.com](http://aspenspumps.com)

For more installation accessories take a look at our Aspen Xtra range

Information correct at time of going to press.



[aspenspumps.com](http://aspenspumps.com)

+44 (0)1323 848842

[sales@aspenspumps.com](mailto:sales@aspenspumps.com)

reliable | silent | simple



The ultra slim Mini Aqua is designed to fit where other's can't.



AIR CONDITIONING



REFRIGERATION



HEATING



# Mini Aqua<sup>®</sup>

CONDENSATE REMOVAL PUMP

The world's slimmest condensate removal pump is designed to fit where other's can't!



12L/h max. flow



10m max. rec. head (flow rate 6L/h)



21dB(A) @ 1m

### KEY FEATURES

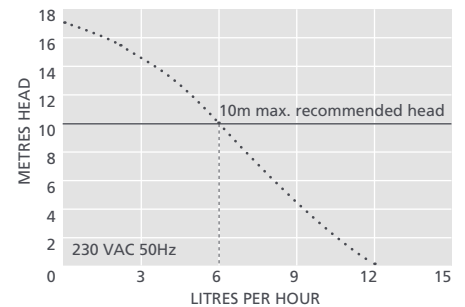
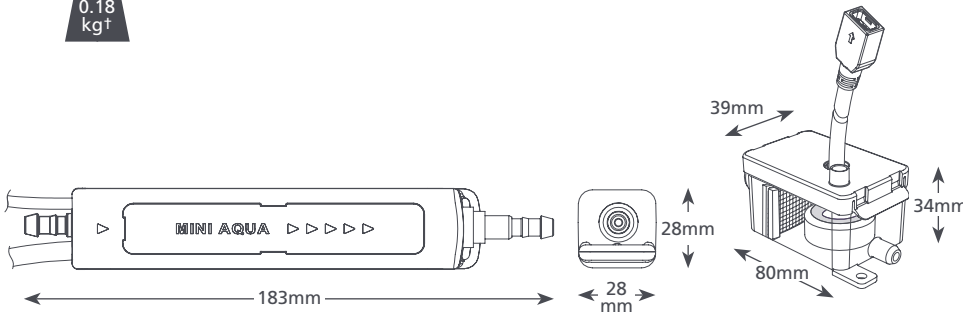
- Ultra slim
- High performance
- Plug & play
- Anti siphon device

### SUITABILITY

- Up to 16kW / 54,000Btu/h
- High wall mini split systems; Ducted units; Floor standing & Chassis units
- ✓ **Perfect for...** installing directly inside the unit



0.18 kg†



#### MINI AQUA @ 230 VAC 50Hz

Max. flow	12L/h @ 0 head
Max. rec. head	10m
Max. suction lift	2m
dB(A) @ 1m	21
Power supply	230 VAC, 0.1A, 16W, 50/60Hz
Rated Class	Non continuous II appliance <input type="checkbox"/>
Max. unit output	16kW / 54,000Btu/h
Max. water temp	40°C / 104°F
Discharge tube	6mm ID
IP Protection	IP24
Safety switch	3.0A Normally closed
Thermal protection	✓
Fully potted	✓
Self priming	✓

#### MINI AQUA OPTIONS

Mini Aqua (Europe)	FP2406/2
† Pump only	

#### IN THE BOX

- Mini Aqua pump
- 1.5m Plug & play power cable
- Reservoir (inc. filter, float, lid)
- 150mm Vinyl breather tube 6mm ID
- Anti siphon device
- 1.5m Suction tube 6mm ID
- 220mm Blue inlet hose 14mm ID
- Drain connector kit
- Fixing kit
- Install manual

- 📖 Download manual at [aspenspumps.com](http://aspenspumps.com)
- ▶ View install video at [aspenspumps.com](http://aspenspumps.com)

#### SUGGESTED XTRA ACCESSORIES

Description	Part No.
1 Amp Fuse	FP2620
Tube To Soil Stack Adaptor	FP2038
Vinyl Tube Braided 1/4" (6mm)	AX5100
Inline Filter 16mm	FP2640

For more installation accessories take a look at our Aspen Xtra range

Information correct at time of going to press.



[aspenspumps.com](http://aspenspumps.com)

+44 (0)1323 848842

[sales@aspenspumps.com](mailto:sales@aspenspumps.com)

reliable | silent | simple



The Mini Blanc is discreet and excellent for areas where regular ease of inspection and maintenance is needed.





AIR CONDITIONING



REFRIGERATION



HEATING



# Mini Blanc®

## CONDENSATE REMOVAL PUMP

The 'ultra quick fit' Mini Blanc is designed to be fitted beneath high wall indoor units and offers easy access for future maintenance.



12L/h max. flow



10m max. rec. head (flow rate 4L/h)



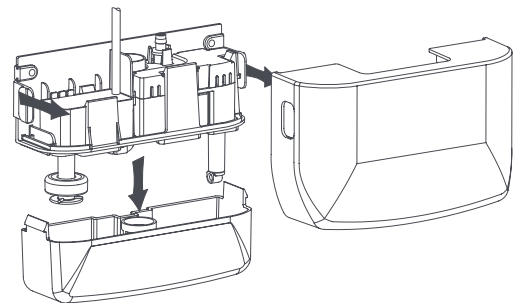
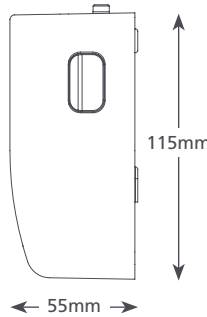
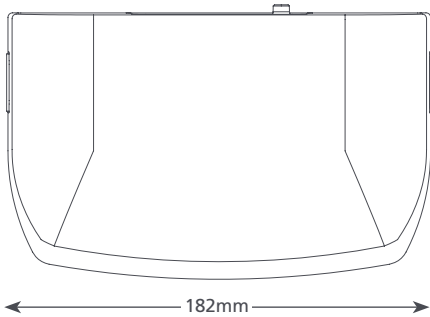
21dB(A) @ 1m

### KEY FEATURES

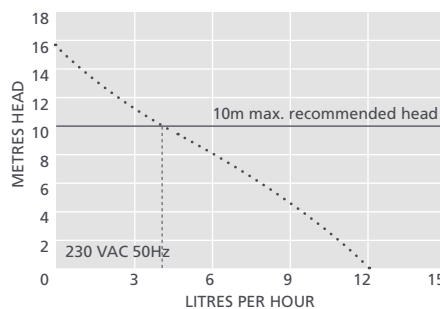
- Extra quick to fit
- Compact & discreet
- Clear removable reservoir
- Ultra quiet operation

### SUITABILITY

- Up to 16kW / 54,000Btu/h
- High wall mini split systems
- ✓ **Perfect for...** Domestic use – where easy maintenance is key



MINI BLANC @ 230 VAC 50Hz	
Max. flow	12L/h @ 0 head
Max. rec. head	10m
Tank capacity	0.24L
dB(A) @ 1m	21
Power supply	230 VAC, 0.11A, 19W 50/60Hz
Rated Class	Non continuous II appliance <input type="checkbox"/>
Max. unit output	16kW / 54,000Btu/h
Max. water temp	40°C / 104°F
Inlet/outlet	20mm in, 6mm out
IP Protection	IP21
Safety switch	3.0A Normally closed
Thermal protection	✓
Fully potted	Partially
Self priming	✓



### SUGGESTED XTRA ACCESSORIES

Description	Part No.
1 Amp Fuse	FP2620
Tube To Soil Stack Adaptor	FP2038
Mini Blanc Ivory Cover	FP1037

*Xtra* For more installation accessories take a look at our Aspen Xtra range

### MINI BLANC OPTIONS

Mini Blanc (Europe)	FP1080/2
---------------------	----------

### IN THE BOX

Mini Blanc pump (including hard wired 1m power cable) • Anti siphon device • Drain connector kit • Fixing kit • Install manual

- Download manual at [aspenspumps.com](http://aspenspumps.com)
- View install video at [aspenspumps.com](http://aspenspumps.com)

Information correct at time of going to press.



[aspenspumps.com](http://aspenspumps.com)

+44 (0)1323 848842

[sales@aspenspumps.com](mailto:sales@aspenspumps.com)

reliable | silent | simple



AIR CONDITIONING



REFRIGERATION



HEATING



# Maxi Orange

## CONDENSATE REMOVAL PUMP



Need more performance? Designed for larger units, the Maxi Orange pump gives you the extra power when you need it.



35L/h max. flow



15m max. rec. head  
(flow rate 10L/h)



35dB(A) @ 1m

### KEY FEATURES

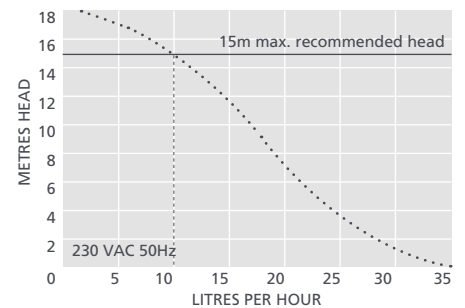
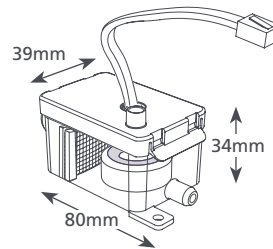
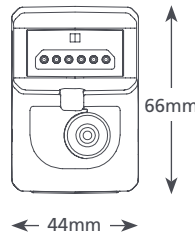
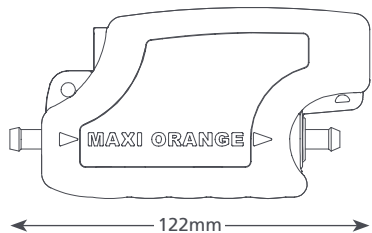
- High power motor
- Superior performance
- Submersible secondary reservoir included

### SUITABILITY

- Up to 46kW / 157,000Btu/h
- High wall split systems; Ducted units; Floor standing & Chassis units
- ✓ **Perfect for...** Large commercial units



0.45 kg†



### MAXI ORANGE @ 230 VAC 50Hz

Max. flow	35L/h @ 0 head
Max. rec. head	15m
Max. suction lift	2m
dB(A) @ 1m	35
Power supply	230 VAC, 0.11A, 16W, 50/60Hz
Rated Class	Non continuous II appliance <input type="checkbox"/>
Max. unit output	46kW / 157,000Btu/h
Max. water temp	40°C / 104°F
Discharge tube	6mm ID
IP Protection	IP21
Safety switch	3.0A Normally closed
Thermal protection	✓
Fully potted	✓
Self priming	✓

### MAXI ORANGE OPTIONS

Maxi Orange (Europe)	FP2210
† Pump only	

### SUGGESTED XTRA ACCESSORIES

Description	Part No.
1 Amp Fuse	FP2620
Tube To Soil Stack Adaptor	FP2038
Vinyl Tube Braided 1/4" (6mm)	AX5100
Inline Filter 16mm	FP2640
4.3m mini/maxi orange extension kit	FP2940

### IN THE BOX

Maxi Orange pump • 1.5m Plug & play power cable • Reservoir • Reservoir lid with 1.5m sensor cable • Submersible reservoir • Anti siphon device • Float & filter • 1.5m Suction tube 6mm ID • 220mm Orange inlet hose 14mm ID • 150mm Vinyl breather tube 6mm ID • Drain connector kit • Fixing kit • Install manual

- Download manual at [aspenspumps.com](http://aspenspumps.com)
- View install video at [aspenspumps.com](http://aspenspumps.com)

**Xtra** For more installation accessories take a look at our Aspen Xtra range

Information correct at time of going to press.





AIR CONDITIONING



REFRIGERATION



HEATING



# Maxi Lime

## CONDENSATE REMOVAL PUMP

Designed for larger units & humid environments. The Maxi Lime elbow pump gives you supreme power when needed. ('Pump only pack' also available).



35L/h max. flow



15m max. rec. head (flow rate 10L/h)



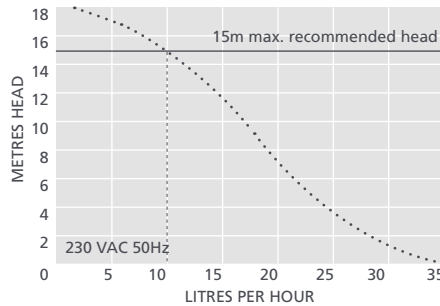
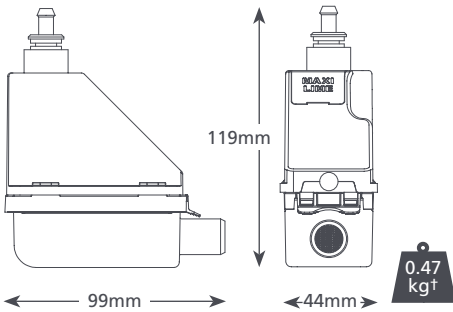
35dB(A) @ 1m

### KEY FEATURES

- Sits in trunking elbow
- Left or right install
- Range of trunking systems
- Easy access for servicing

### SUITABILITY

- Up to 46kW / 157,000Btu/h
- Large commercial AC units; High wall split systems



### SUGGESTED XTRA ACCESSORIES

Description	Part No.
1 Amp Fuse	FP2620
Tube To Soil Stack Adaptor	FP2038
Vinyl Tube Braided 1/4" (6mm)	AX5100



For more installation accessories take a look at our Aspen Xtra range

### MAXI LIME @ 230 VAC 50Hz

Max. flow	35L/h @ 0 head
Max. rec. head	15m
Max. suction lift	n/a
dB(A) @ 1m	35
Power supply	230 VAC, 0.1A, 16W, 50/60Hz
Rated Class	Non continuous II appliance <input type="checkbox"/>
Max. unit output	46kW / 157,000Btu/h
Max. water temp	40°C / 104°F
Discharge tube	6mm ID
IP Protection	IP24
Safety switch	3.0A Normally closed
Thermal protection	✓
Fully potted	✓
Self priming	✓

### MAXI LIME SYSTEM OPTIONS

System	Colour	Part No.
BBJ (Airco)	Ivory	FP2213
Maxi Lime Replacement†		FP2215

† Pump only – no trunking included

### IN THE BOX

Maxi Lime pump (inc. 750mm discharge tube with 6mm ID connector and 1.5m hard wired power cable) • 500mm Lime green inlet hose 14mm ID • 40mm Vinyl breather tube 6mm ID • Anti siphon device • Elbow front and back • 800mm conduit front and back • Gasket (BBJ and Inoac/Inaba systems only) • Ceiling plate • Drain connector kit • Fixing kit • Install manual

Download manual at [aspenspumps.com](http://aspenspumps.com)

View install video at [aspenspumps.com](http://aspenspumps.com)

Information correct at time of going to press.



[aspenspumps.com](http://aspenspumps.com)

+44 (0)1323 848842

[sales@aspenspumps.com](mailto:sales@aspenspumps.com)

reliable | silent | simple

Easy maintenance

Time saving

High performance

Industry leading

# Tank pumps

## The best just got better

Our tank pump range is designed with you, the installer in mind. Easy to install and maintain, with features including easy clean tank, plug & play, twist & click non return valve and built in spirit level. When time is precious, Aspen tank pumps are installer friendly with unsurpassed performance as standard.



Mini Tank



Max Hi-Flow  
(replaces Hi-flow 0.5L, 1L & 2L)



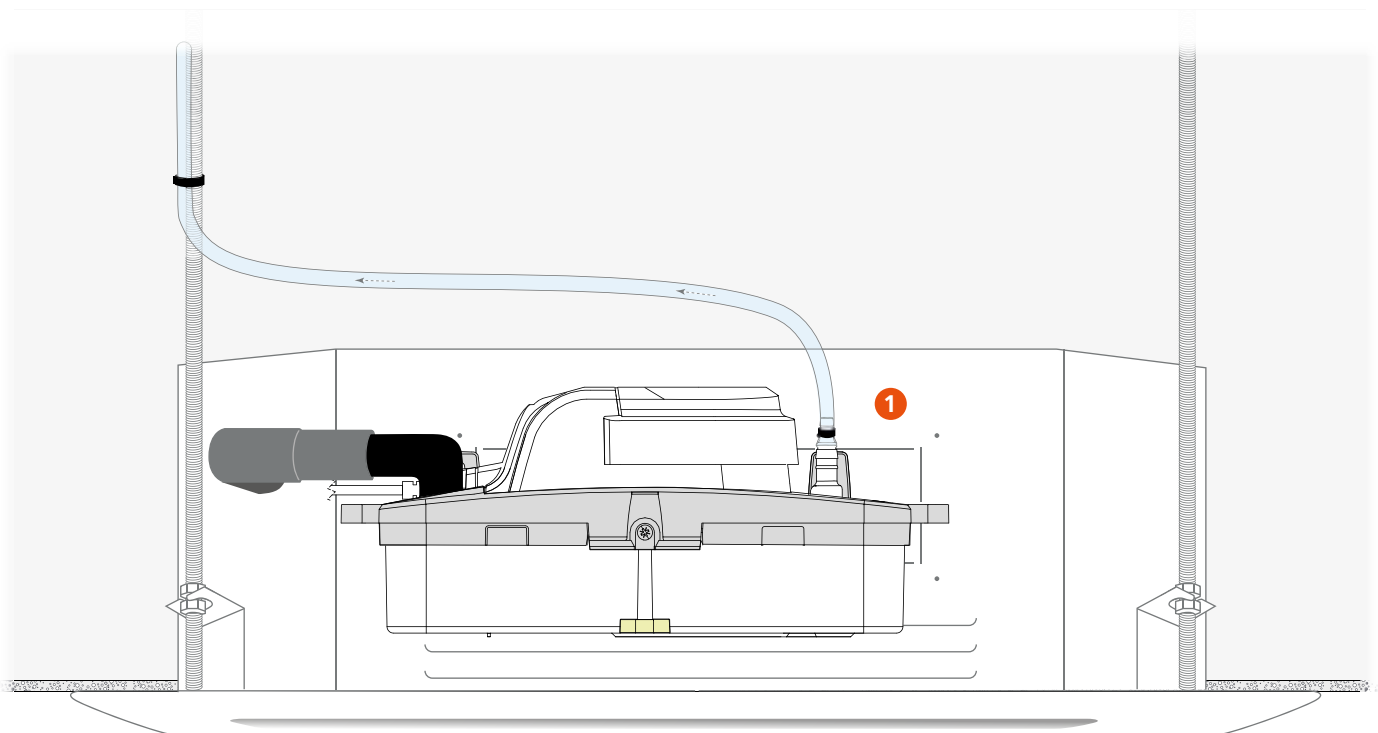
Hi-lift 1L & 2L



Heavy Duty 6 & 10



Hot Water Pumps



1 Max Hi-flow screw mounted to cassette unit



AIR CONDITIONING



REFRIGERATION



HEATING



# Mini Tank

## CONDENSATE REMOVAL PUMP



The new and improved Mini Tank pump can be wall mounted, floor mounted, in-pan or suspended on M8 / M10 rod. Using piston technology this is a compact, powerful and multi functional tank pump.



35L/h max. flow



15m max. rec. head (flow rate 10L/h)

### KEY FEATURES

- Four ways to install
- Compact & discreet
- Can be located in drain pan
- Easy maintenance

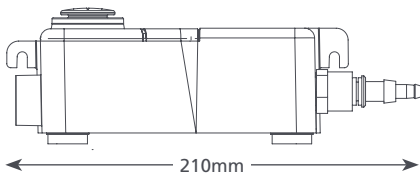
### SUITABILITY

- Up to 46kW / 157,000Btu/h
- Ducted units; Floor standing & chassis units; Cassette units

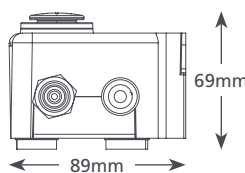
✓ **Perfect for...** Installation versatility



0.57 kg

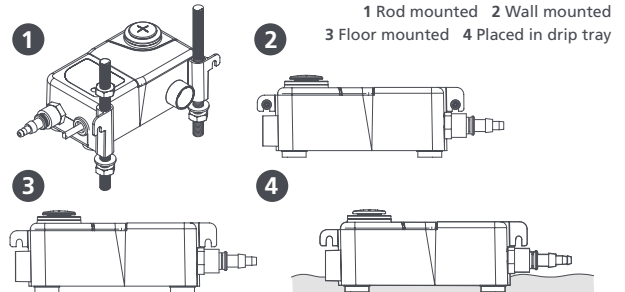


210mm



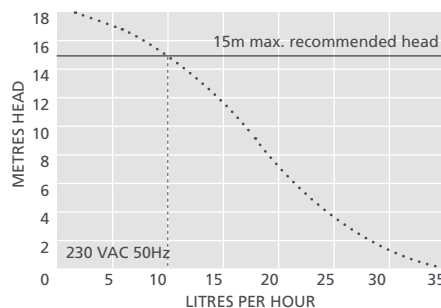
69mm

89mm



### MINI TANK @ 230 VAC 50Hz

Max. flow	35L/h @ 0 head
Max. rec. head	15m
Tank capacity	0.24L
dB(A) @ 1m	35
Power supply	230 VAC, 0.1A, 16W, 50/60Hz
Rated Class	Non continuous II appliance <input type="checkbox"/>
Max. unit output	46kW / 157,000Btu/h
Max. water temp	40°C / 104°F
Inlets	x2 22mm, 12mm & 27mm
Outlets	6mm & 10mm
IP Protection	IP65
Safety switch	3.0A Normally closed
Thermal protection	✓
Fully potted	✓
Self priming	n/a



### SUGGESTED XTRA ACCESSORIES

Description	Part No.
Tank pump connector 16mm-21mm	FP2011
Tube To Soil Stack Adaptor	FP2038
Vinyl Tube Braided 1/4" (6mm)	AX5200



For more installation accessories take a look at our Aspen Xtra range

### MINI TANK OPTIONS

Mini Tank	FP1056/2
-----------	----------

### IN THE BOX

Mini Tank pump (including hard wired 1.5m power cable) • x2 Rubber adaptors (21.5mm & 31mm) • Anti siphon device • Fixing kit • Install manual

- Download manual at [aspenpumps.com](http://aspenpumps.com)
- View install video at [aspenpumps.com](http://aspenpumps.com)

Information correct at time of going to press.



[aspenpumps.com](http://aspenpumps.com)

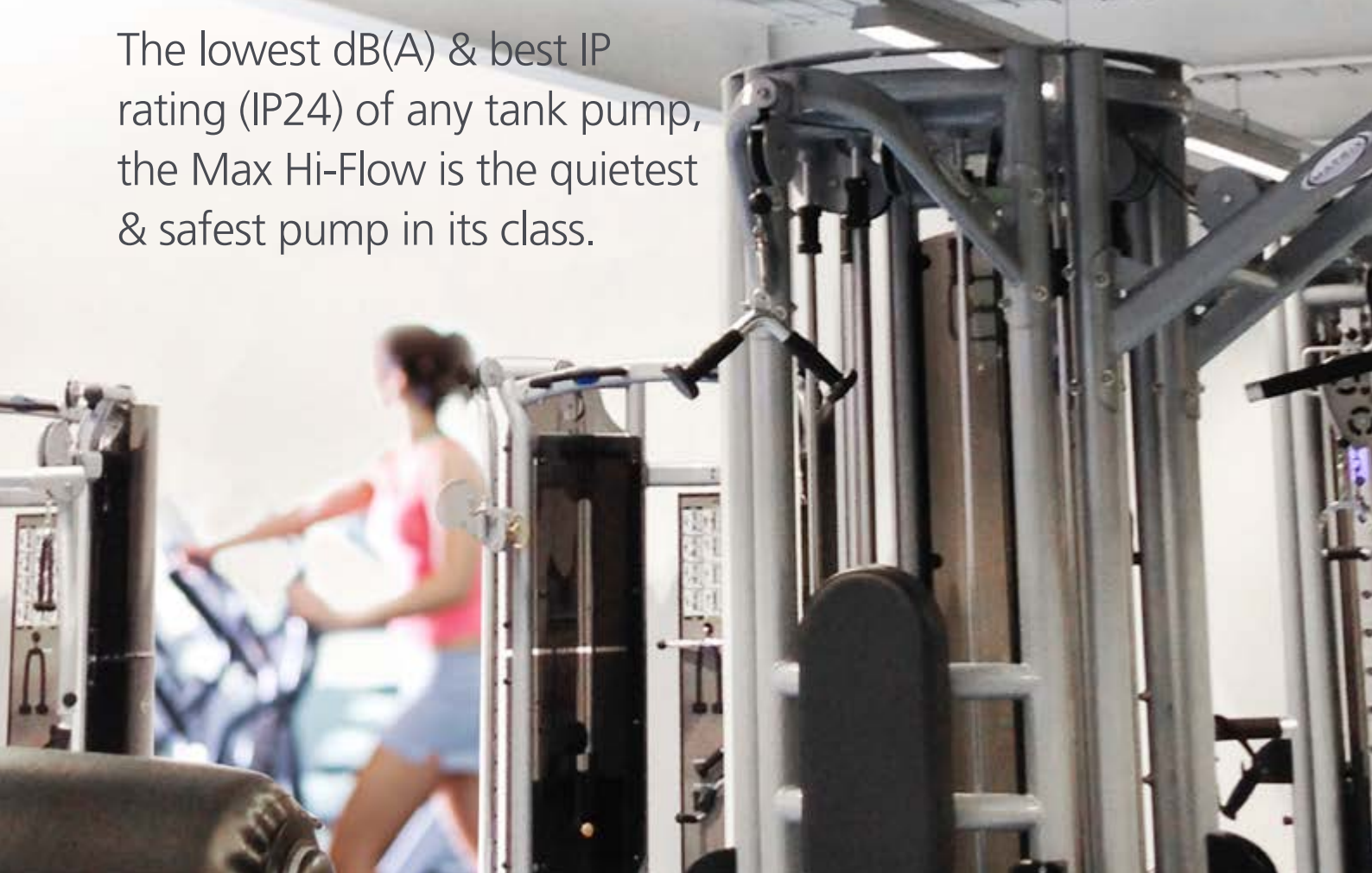
+44 (0)1323 848842

[sales@aspenpumps.com](mailto:sales@aspenpumps.com)

reliable | silent | simple



The lowest dB(A) & best IP rating (IP24) of any tank pump, the Max Hi-Flow is the quietest & safest pump in its class.





AIR CONDITIONING



REFRIGERATION



HEATING



NEW!



# MAX Hi-Flow

## CONDENSATE REMOVAL PUMP

The best in class Max Hi-Flow tank pump carries on the Aspen Pumps tradition of build quality & high performance. With the lowest dB(A) rating & best IP rating (IP24 splash proof) of any tank pump, the Max Hi-Flow is the quietest & safest pump in its class.



550 L/h max. flow



5m max. rec. head (flow rate 55L/h)

### KEY FEATURES

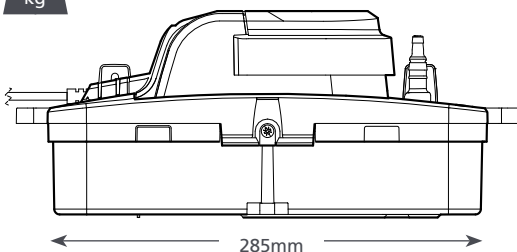
- IP24 - Splash proof
- Easy access tank
- Built in spirit level
- Plug & play

### SUITABILITY

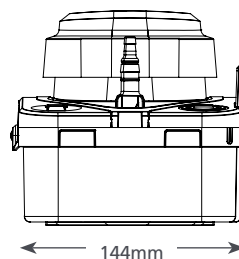
- Up to 733kW / 2.5 Btu/h
- Ducted units; Floor standing & Chassis units; Cassette units



1.65 kg



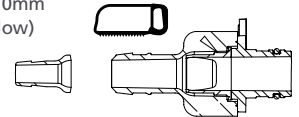
285mm



144mm

134mm

Non-return valve can be cut from 6mm to 10mm (see graphs below)



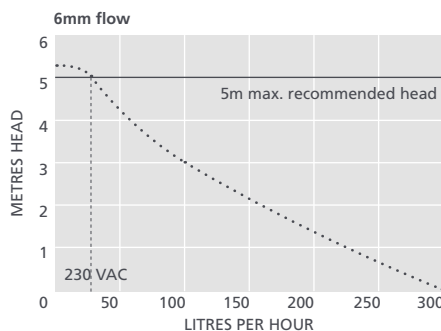
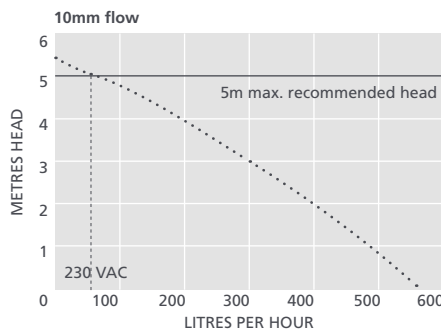
### TANK PUMP OPTIONS

MAX Hi-Flow

FP3349

### MAX HI-FLOW (10MM FLOW) @ 230 VAC 50HZ

Max. flow	550L/h @ 0 head
Max. rec. head	5m
Tank capacity	1.7L
dB(A)@1m	44
Power supply	230 VAC, 0.8A, 50Hz
Rated Class	Non Continuous I appliance
Max. unit output	733kW / 2.5m Btu/h
Max. water temp	40°C / 104°F
Inlets	x4 21-27mm
Outlets	6mm & 10mm
IP Protection	IP24
Safety switch	3A Normally closed
Thermal protection	✓
Fully potted	n/a
Self priming	n/a



### SUGGESTED XTRA ACCESSORIES

Description	Part No.
Rubber adaptor	FP2013
Rigid pipe 15mm / 3/4"	B7501
Hose to waste	FP2038



For more installation accessories take a look at our Aspen Xtra range

### IN THE BOX

Max Hi-Flow tank pump • Plug & Play power cable • Fixing kit incl. rod mount and wall mount clips • Install manual

Download manual at [aspenpumps.com](http://aspenpumps.com)

View install video at [aspenpumps.com](http://aspenpumps.com)

Information correct at time of going to press.



[aspenpumps.com](http://aspenpumps.com)

+44 (0)1323 848842

[sales@aspenpumps.com](mailto:sales@aspenpumps.com)

reliable | silent | simple





AIR CONDITIONING



REFRIGERATION



HEATING



# Hi-Lift 1L & 2L

## CONDENSATE REMOVAL PUMP

The world's only persaltic tank pump offers unsurpassed high head and unmatched reliability.



11L/h max. flow



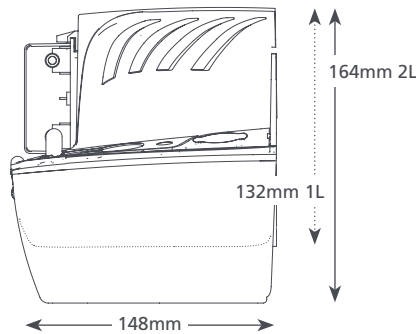
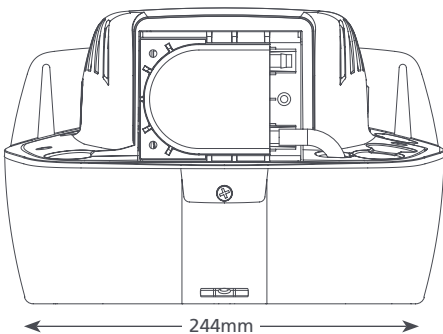
12m max. head (flow rate 11L/h)

### KEY FEATURES

- High head
- Easy fit & maintenance
- Easy access clean tray
- Built in spirit level

### SUITABILITY

- Up to 14kW / 47,000Btu/h
- Ducted units; Floor standing & Chassis units; Cassette units; Refrigerated units / cold store

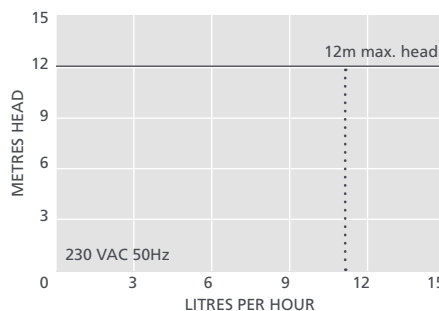


1.75 kg  
1L

1.80 kg  
2L

### HI-LIFT 1L & 2L @ 230 VAC 50Hz

Max. flow	11L/h @ 0 head
Max. head	12m
Tank capacity	1L & 2L
dB(A) @ 1m	51
Power supply	230 VAC, 0.4A, 50/60Hz
Rated	Continuously
Class	I appliance
Max. unit output	14kW / 47,000Btu/h
Max. water temp	40°C / 104°F
Inlet/outlet	x3 25mm in, 6mm out
IP Protection	IP20
Safety switch	3.0A Normally closed
Thermal protection	✓
Fully potted	n/a
Self priming	n/a



### SUGGESTED XTRA ACCESSORIES

Description	Part No.
Tank pump connector 16mm-21mm	FP2011
Tube To Soil Stack Adaptor	FP2038
Vinyl Tube Braided 1/4" (6mm)	AX5110



For more installation accessories take a look at our Aspen Xtra range

### IN THE BOX

Hi-lift 1L or 2L pump • 2m Plug & play power cable • Fixing kit • Install manual

Download manual at [aspenspumps.com](http://aspenspumps.com)

### HI-LIFT 1L & 2L OPTIONS

Hi-lift 1L	FP2099/2
Hi-lift 2L	FP2071/2

Information correct at time of going to press.



AIR CONDITIONING



REFRIGERATION



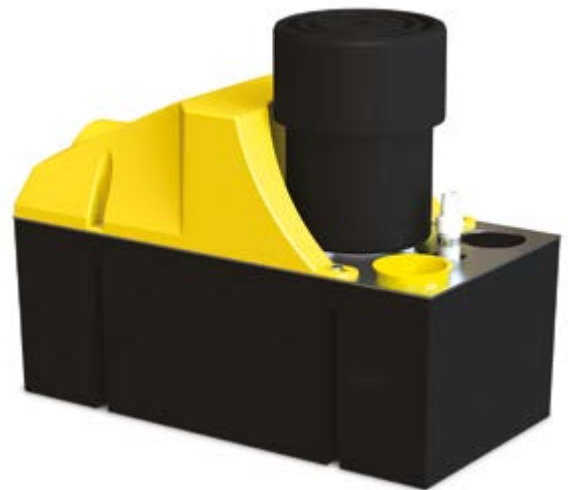
HEATING



# Heavy Duty 6 & 10

## CONDENSATE REMOVAL PUMP

With an impressive flow rate, these robust and reliable Heavy Duty pumps are perfect for the rapid removal of large quantities of condensate water.



HD6: 900L/h max. flow  
HD10: 1070L/h max. flow



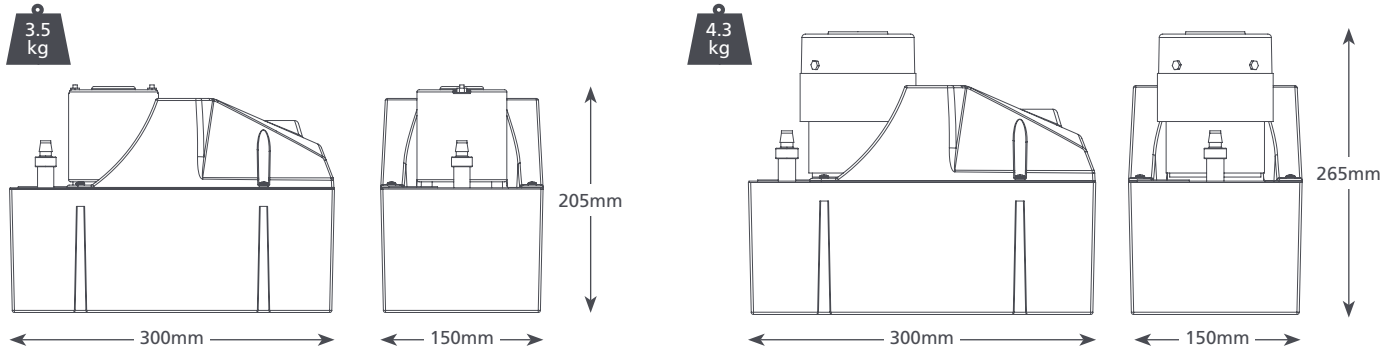
HD6: 6m max. rec. head  
(flow rate 180L/h)  
HD10: 9m max. rec. head  
(flow rate 100L/h)

### KEY FEATURES

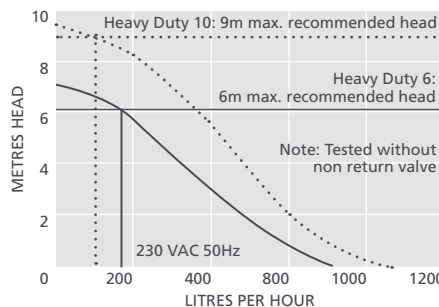
- High flow rate
- Non return valve
- Easy installation
- 4 litre tank capacity

### SUITABILITY

- HD6: Up to 1200kW / 4m Btu/h  
HD10: Up to 1460kW / 4.9m Btu/h
- Dehumidifiers; Air handling units (AHUs)



HEAVY DUTY 6 & 10 @ 230 VAC 50Hz	
Max. flow	HD6: 900L/h, HD10: 1070L/h
Max. rec. head	HD6: 6m, HD10: 9m
Tank capacity	4L
dB(A) @ 1m	HD6: 60, HD10: 64
Power supply	HD6: 230 VAC, 1.5A, 50Hz HD10: 230 VAC, 0.38A, 50Hz
Rated	HD6: Non continuous HD10: Continuous
Class	I appliance
Max. unit output	HD6: 1200kW / 4m Btu/h HD10: 1460kW / 4.9m Btu/h
Max. water temp	40°C / 104°F
Inlet/outlet	x2 40mm in, 10mm out
IP Protection	IP20
Safety switch	3.0A Normally closed



SUGGESTED XTRA ACCESSORIES	
Description	Part No.
Pipe to Pipe connector 21mm-40mm	FP2018
Tube To Soil Stack Adaptor	FP2038
Vinyl Tube Braided 3/8" (10mm)	AX5101

**Xtra** For more installation accessories take a look at our Aspen Xtra range

HEAVY DUTY 6 & 10 OPTIONS	
Heavy Duty 6	FP2074/2
Heavy Duty 10	FP2066/2

IN THE BOX	
Heavy Duty 6 or 10 pump • 2m power cable • Install manual	
Download manual at <a href="http://aspenspumps.com">aspenspumps.com</a>	

Information correct at time of going to press.



[aspenspumps.com](http://aspenspumps.com)

+44 (0)1323 848842

[sales@aspenspumps.com](mailto:sales@aspenspumps.com)

reliable | silent | simple



AIR CONDITIONING



REFRIGERATION



HEATING



EN

# Hot Water Economy

CONDENSATE REMOVAL PUMP

Built of heat resistant cyclopy, this economy pump is designed to handle high water temperatures.



900L/h max. flow



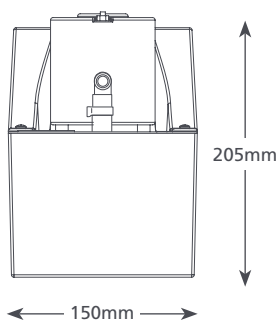
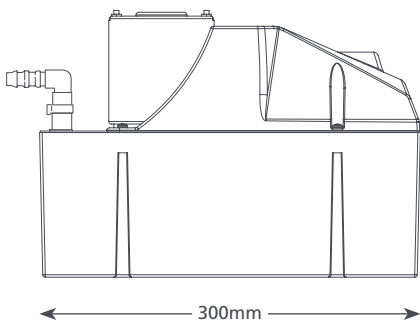
6m max. rec. head (flow rate 180L/h)

### KEY FEATURES

- High performance
- Handles 100°C water
- 2 inlets

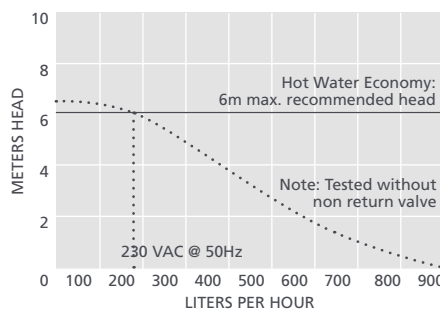
### SUITABILITY

- Up to 1200kW / 4m Btu/h
- Humidifiers; Boilers; Refrigeration; Air handling units (AHUs)



### HOT WATER ECONOMY @ 230 VAC 50Hz

Max. flow	900L/h @ 0 head
Max. rec. head	6m
Tank capacity	4L
dB(A) @ 1m	60
Power supply	230 VAC, 1.5A, 50Hz
Rated	Non continuous
Class	I appliance
Max. unit output	1200kW / 4m Btu/h
Max. water temp	100°C / 212°F
Inlet/outlet size	x2 40mm in, 10mm out
IP Protection	IP20
Safety switch	3.0A Normally closed
Thermal protection	✓
Fully potted	n/a
Self priming	n/a



### SUGGESTED XTRA ACCESSORIES

Description	Part No.
Tank pump connector 16mm–21mm	FP2011
Tube To Soil Stack Adaptor	FP2038
Vinyl Tube Braided 3/8" (10mm)	AX5111

**Xtra** For more installation accessories take a look at our Aspen Xtra range

### HOT WATER ECONOMY OPTIONS

Hot Water Economy	FP2092/2
-------------------	----------

### IN THE BOX

- Hot Water Economy Pump • 2m power cable
- Install manual

Download manual at [aspenspumps.com](http://aspenspumps.com)

Information correct at time of going to press.



AIR CONDITIONING



REFRIGERATION



HEATING



EN

# Hot Water Heavy Duty

## CONDENSATE REMOVAL PUMP

The Hot Water Heavy Duty pump is designed to handle 80°C water and with an outstanding 1800L/h water flow rate. No job is too big!



1800L/h max. flow



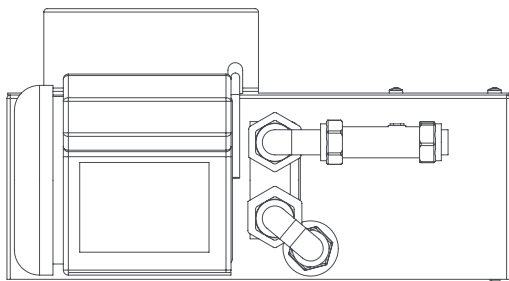
15m max. rec. head (flow rate 10L/h)

### KEY FEATURES

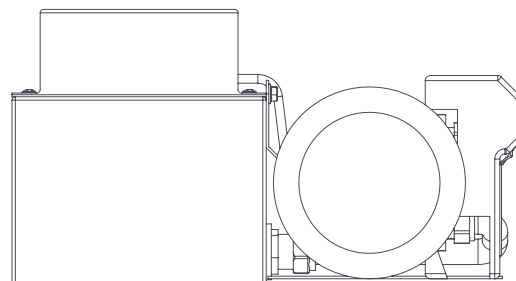
- High flow rate
- Handles 80°C water
- Non return valve
- Easy installation

### SUITABILITY

- Up to 2400kW / 8m Btu/h
- Air handling units (AHUs); Humidifiers, Boilers; Refrigeration



320mm



355mm

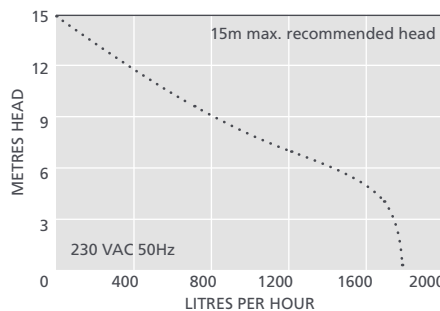


160mm

7 kg

### HOT WATER HEAVY DUTY @ 230 VAC 50Hz

Max. flow	1800L/h @ 0 head
Max. rec. head	15m
Tank capacity	5L
dB(A) @ 1m	63
Power supply	230 VAC, 1.5A, 50/60Hz
Rated Class	Continuously I appliance
Max. unit output	2400kW / 8m Btu/h
Max. water temp	80°C / 176°F
Inlet/outlet size	x2 40mm in, 15mm out
IP Protection	IP21
Safety switch	3.0A Normally closed
Thermal protection	✓
Fully potted	n/a
Self priming	n/a



### SUGGESTED XTRA ACCESSORIES

Description	Part No.
1 Amp Fuse	FP2620
Pipe to Pipe adaptor 21mm-40mm	FP2018

**Xtra** For more installation accessories take a look at our Aspen Xtra range

### HOT WATER HEAVY DUTY OPTIONS

Hot Water Heavy Duty FP2132

### IN THE BOX

Hot Water Heavy Duty pump (including non-return valve) • 2m power cable • Install manual

Download manual at [aspenspumps.com](http://aspenspumps.com)

Information correct at time of going to press.



[aspenspumps.com](http://aspenspumps.com)

+44 (0)1323 848842

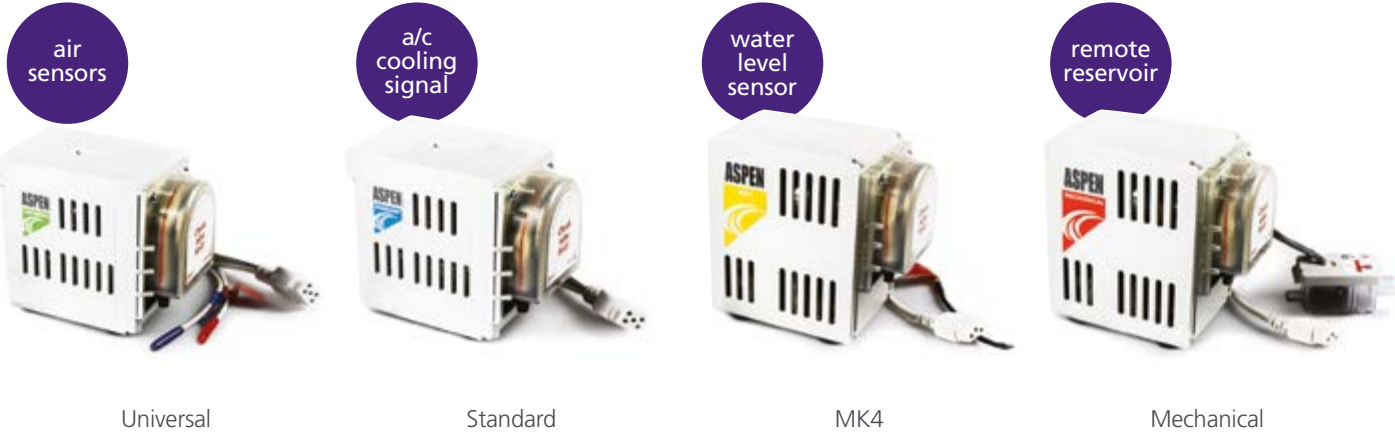
[sales@aspenspumps.com](mailto:sales@aspenspumps.com)

reliable | silent | simple

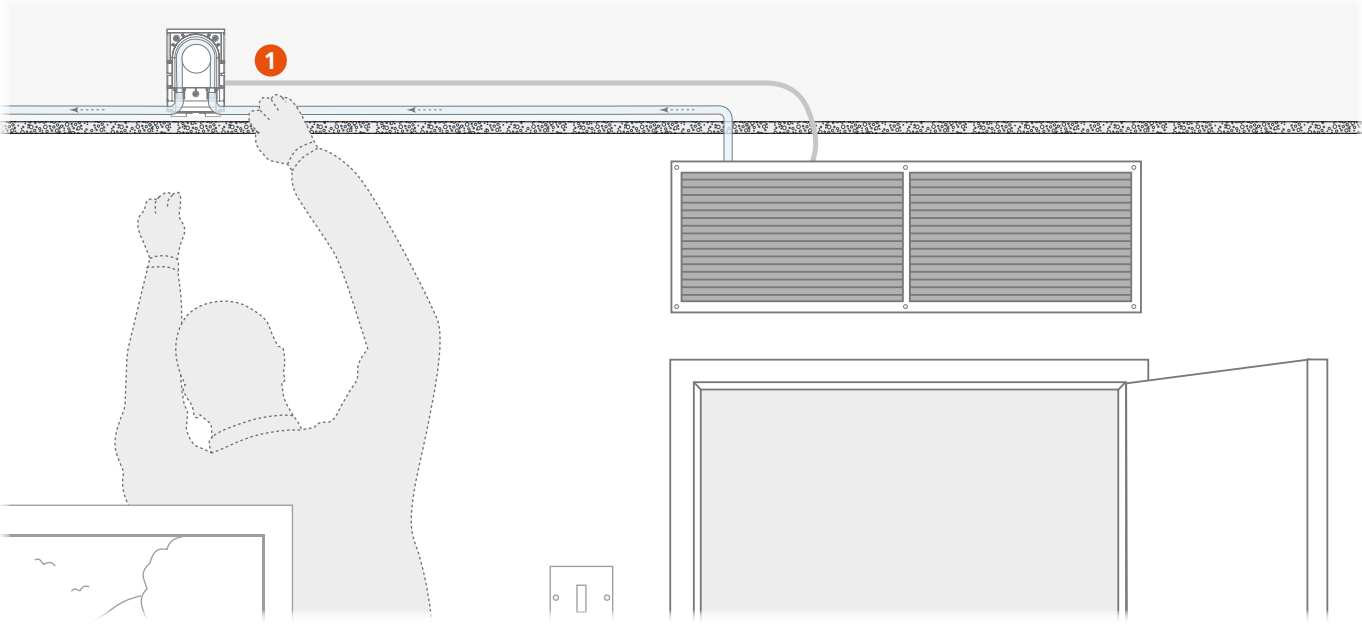
- Remote install
- Ultra reliable
- Constant flow rate
- Can run dry

# Peristaltic pumps Moving forward

Our peristaltic pump range is the 'best of the best'. Offering unrivalled remote install possibilities, they can be placed as far as 8 metres\* from the AC unit without affecting performance. Perfect for spaces which require unobtrusive maintenance access (eg hotels, hospitals). Handling dirty water and with the added benefit that they can run dry, our peristaltic pump range is ideal for commercial remote applications.



\*Universal: optional 8m cable available separately



1 Remote access with minimal disturbance. Pump placed remotely from AC unit eg. above ceiling in hallway of hotel



AIR CONDITIONING



REFRIGERATION



HEATING



# Universal

## CONDENSATE REMOVAL PUMP



The top selling Universal is operated by two air temperature sensors. The peristaltic rotary movement creates a continuous pressure meaning the pump can be sited 8m\* away from the source with no effect in performance.



6.5L/h max. flow



12m max. head (flow rate 6.5L/h)

### KEY FEATURES

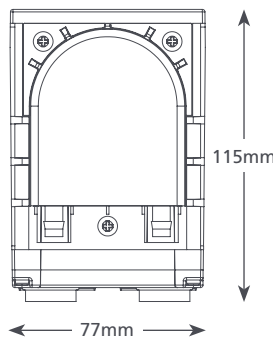
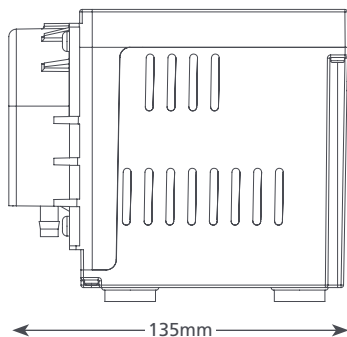
- Air temp. sensor operated
- Remote install possible
- Pumps contaminated water
- Can run dry

### SUITABILITY

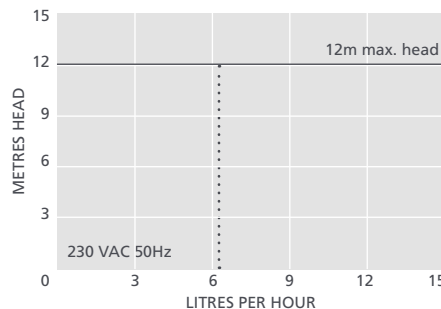
- Up to 8.5kW / 29,000Btu/h
- High wall split systems; Ducted units; Floor standing & Chassis units
- ✓ **Perfect for...** environments where consistent climate control is critical



\*Universal: optional 8m cable available separately



UNIVERSAL @ 230 VAC 50Hz	
Max. flow	6.5L/h @ 12m head
Max. head	12m
Max. suction lift	3m
dB(A) @ 1m	47
Power supply	230 VAC, 0.2A, 50/60Hz
Rated Class	Continuously I appliance
Max. unit output	8.5kW / 29,000Btu/h
Max. water temp	40°C / 104°F
Inlet/outlet	6mm ID
IP Protection	IP21
Safety switch	n/a
Thermal protection	✓
Fully potted	n/a
Self priming	✓



UNIVERSAL OPTIONS	
Universal	FP2082/2

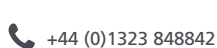
SUGGESTED XTRA ACCESSORIES	
Description	Part No.
Peri Spare Tube Kit	FP1282
1 Amp Fuse	FP2620
Tube To Soil Stack Adaptor	FP2038

**Xtra** For more installation accessories take a look at our Aspen Xtra range

IN THE BOX
Universal pump • 3m (optional 8m) Plug & play power / sensor cable • Wall mounted bracket • Fixing kit • Install manual

- Download manual at [aspenpumps.com](http://aspenpumps.com)
- View install video at [aspenpumps.com](http://aspenpumps.com)

Information correct at time of going to press.



reliable | silent | simple



AIR CONDITIONING



REFRIGERATION



HEATING



# Standard

## CONDENSATE REMOVAL PUMP



Operated by an air conditioning cooling signal, the Standard peristaltic sets the standard for reliability. The remote install options means minimum future maintenance disruption.



6.5L/h max. flow



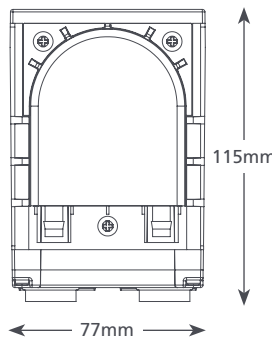
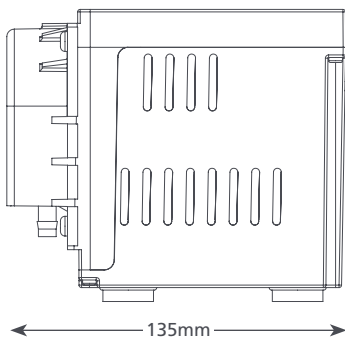
12m max. head (flow rate 6.5L/h)

### KEY FEATURES

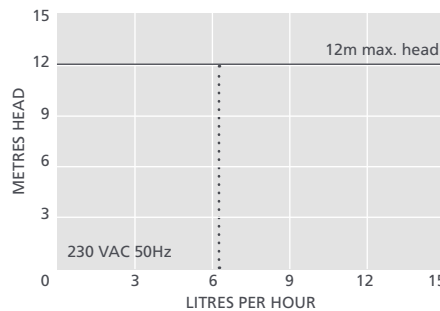
- AC cooling signal operated
- Remote install possible
- Pumps contaminated water
- Can run dry

### SUITABILITY

- Up to 8.5kW / 29,000Btu/h
- High wall split systems; Ducted units; Floor standing & Chassis units



STANDARD @ 230 VAC 50Hz	
Max. flow	6.5L/h @ 12m head
Max. head	12m
Max. suction lift	3m
dB(A) @ 1m	47
Power supply	230 VAC, 0.2A, 50-60Hz
Rated	Continuously
Class	I appliance
Max. unit output	8.5kW / 29,000Btu/h
Max. water temp	40°C / 104°F
Inlet/outlet	6mm ID
IP Protection	IP21
Safety switch	n/a
Thermal protection	✓
Fully potted	n/a
Self priming	✓



### SUGGESTED XTRA ACCESSORIES

Description	Part No.
Peri Spare Tube Kit	FP1282
1 Amp Fuse	FP2620
Tube To Soil Stack Adaptor	FP2038

**Xtra** For more installation accessories take a look at our Aspen Xtra range

### STANDARD OPTIONS

Standard	FP2081/2
----------	----------

### IN THE BOX

- Standard pump
- 2m Plug & play power cable
- Wall mounted bracket
- Fixing kit
- Install manual

Download manual at [aspenpumps.com](http://aspenpumps.com)

View install video at [aspenpumps.com](http://aspenpumps.com)

Information correct at time of going to press.



AIR CONDITIONING



REFRIGERATION



HEATING



# MK4

## CONDENSATE REMOVAL PUMP



The MK4 peristaltic is operated using two water sensors. The lower sensor comes into contact with water, the heat conductivity from that sensor provides a temperature difference between the second – energising the pump.



6.5L/h max. flow



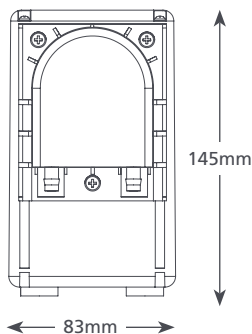
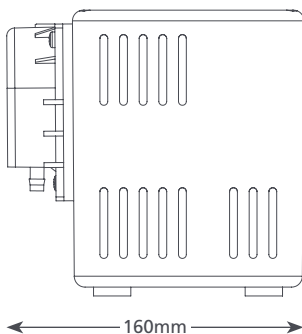
12m max. head (flow rate 6.5L/h)

### KEY FEATURES

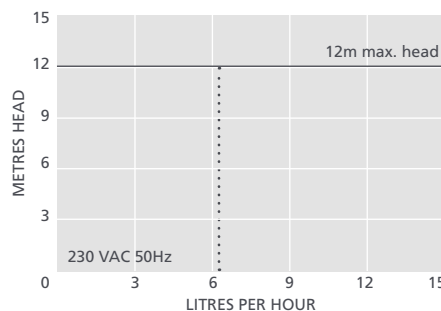
- Water sensor operated
- Remote install possible
- Pumps contaminated water
- Can run dry

### SUITABILITY

- Up to 8.5kW / 29,000Btu/h
- High Wall Split Systems; Ducted units; Floor standing & Chassis units



MK4 @ 230 VAC 50Hz	
Max. flow	6.5L/h @ 12m head
Max. head	12m
Max. suction lift	3m
dB(A) @ 1m	47
Power supply	230 VAC, 0.2A, 50/60Hz
Rated	Continuously
Class	I appliance
Max. unit output	8.5kW / 29,000Btu/h
Max. water temp	40°C / 104°F
Inlet/outlet	6mm ID
IP Protection	IP21
Safety switch	n/a
Thermal protection	✓
Fully potted	n/a
Self priming	✓



### SUGGESTED XTRA ACCESSORIES

Description	Part No.
Peri Spare Tube Kit	FP1282
1 Amp Fuse	FP2620
Tube To Soil Stack Adaptor	FP2038

**Xtra** For more installation accessories take a look at our Aspen Xtra range

### MK4 OPTIONS

MK4	FP2080
-----	--------

### IN THE BOX

MK4 pump • 2m Plug & play power cable • Wall mounted bracket • Fixing kit • Install manual

Download manual at [aspenpumps.com](http://aspenpumps.com)

View install video at [aspenpumps.com](http://aspenpumps.com)

Information correct at time of going to press.



[aspenpumps.com](http://aspenpumps.com)

+44 (0)1323 848842

[sales@aspenpumps.com](mailto:sales@aspenpumps.com)

reliable | silent | simple





AIR CONDITIONING



REFRIGERATION



HEATING



# Mechanical

## CONDENSATE REMOVAL PUMP



Bringing mini pump and peristaltic pump technology together. Simply position the remote reservoir (float switch) in the condensate tray or fix to the drain-pipe connection (depending on chosen reservoir). Alarm option available.



6.5L/h max. flow



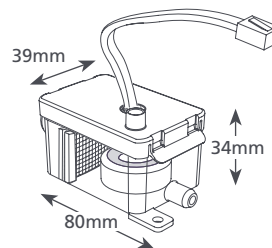
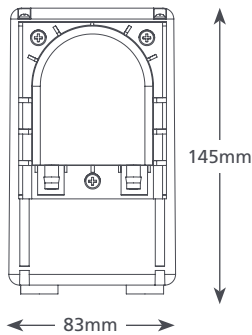
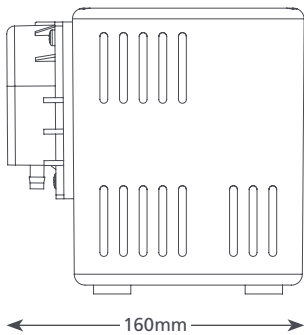
12m max. head (flow rate 6.5L/h)

### KEY FEATURES

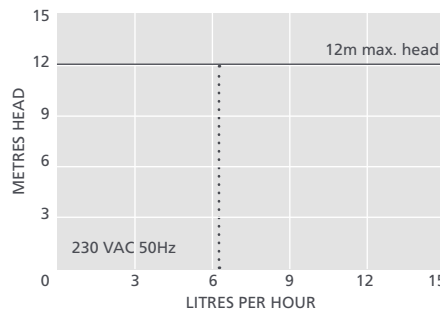
- Float switch operated
- Remote install possible
- Submersible secondary reservoir included

### SUITABILITY

- Up to 8.5kW / 29,000Btu/h
- High wall split systems; Ducted units; Floor standing & Chassis units



MECHANICAL @ 230 VAC 50Hz	
Max. flow	6.5L/h @ 12m head
Max. head	12m
Max. suction lift	3m
dB(A) @ 1m	47
Power supply	230 VAC, 0.2A, 50/60Hz
Rated	Continuously
Class	I appliance
Max. unit output	8.5kW / 29,000Btu/h
Max. water temp	40°C / 104°F
Inlet/outlet	6mm ID
IP Protection	IP21
Safety switch	FP2078 n/a, FP2079 ✓
Thermal protection	✓
Fully potted	n/a
Self priming	✓



### SUGGESTED XTRA ACCESSORIES

Description	Part No.
Peri Spare Tube Kit	FP1282
1 Amp Fuse	FP2620
Tube To Soil Stack Adaptor	FP2038

**Xtra** For more installation accessories take a look at our Aspen Xtra range

### MECHANICAL OPTIONS

Mechanical	FP2078
Mechanical with alarm	FP2079

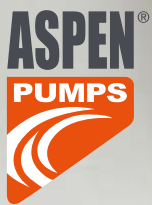
### IN THE BOX

Mechanical pump • 2m Plug & play power cable • Reservoir • Reservoir lid with 3m Float switch cable • Submersible reservoir • Wall mounted bracket • Fixing kit • Install manual

Download manual at [aspenpumps.com](http://aspenpumps.com)

View install video at [aspenpumps.com](http://aspenpumps.com)

Information correct at time of going to press.



## Make training your first tool

Did you know Aspen offers a full range of training and support? Find out how we can help you make the most of our range and achieve best practice installs.

- On & offsite training schools
- Online tutorials
- Technical helpline
- Educational marketing support
- Trade counter days & breakfast mornings

+44 (0) 1323 848842 [sales@aspenspumps.com](mailto:sales@aspenspumps.com)

ASPENPUMPS.COM  
reliable | silent | simple



Filters debris

Easy clean

Large capacity

Inlet options

# Supermarket pumps Leading the market

Designed for retail chiller cabinets, this range of pumps is extremely easy to install and maintain. Placed directly below the refrigeration unit they remove water during the defrost cycle. The Low Profile ERRP, ERRP and Cold Cabinet all feature a unique debris filter, whilst the Macerator features a filter blade to stop the pumps from clogging with food debris.



Low Profile ERRP



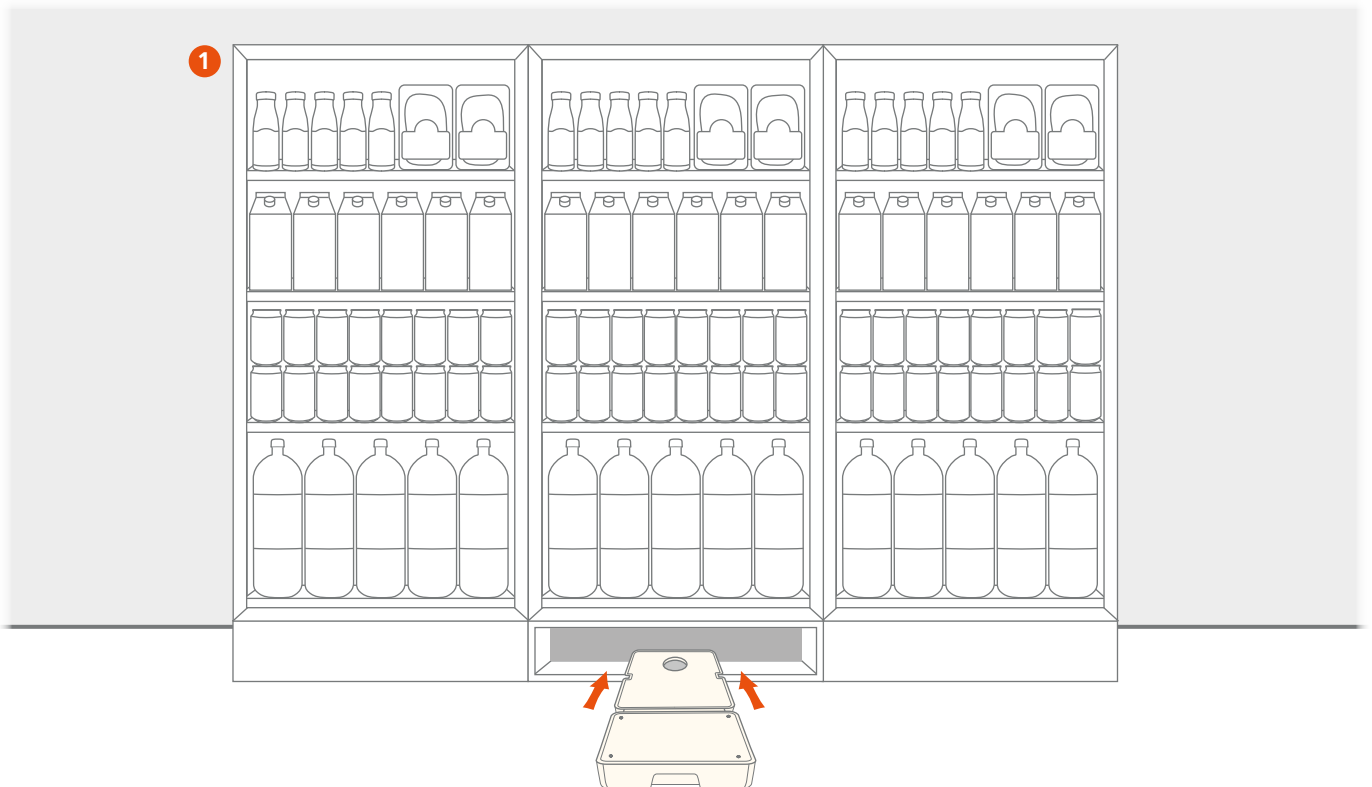
ERRP



Cold Cabinet



Macerator 4L & 10L



1 All our refrigeration pumps simply fit beneath the refrigeration unit



AIR CONDITIONING



REFRIGERATION



HEATING



# Low Profile ERRP

## CONDENSATE REMOVAL PUMP

Designed exclusively to fit underneath retail refrigeration cabinets the lightweight plastic ERRP (Economical Retail Refrigeration Pump) allows for the removal of defrost and contaminated water.



190L/h max. flow



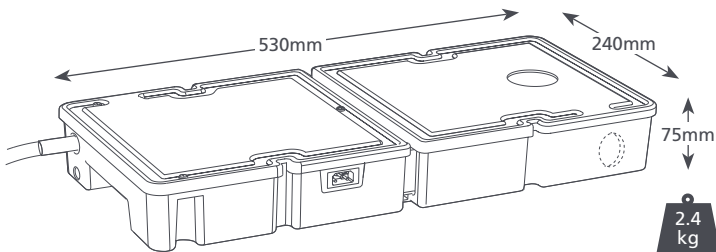
21m max. rec. head (flow rate 10L/h)

### KEY FEATURES

- Lightweight & slim
- Easy to clean and carry
- Filter to catch debris
- Plug & play

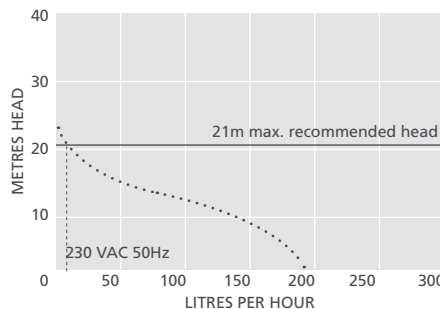
### SUITABILITY

- Refrigeration units; cold store cabinets



### LOW PROFILE ERRP @ 230 VAC 50Hz

Max. flow	190L/h @ 0 head
Max. rec. head	21m
Tank capacity	3.5L
dB(A) @ 1m	60
Power supply	230 VAC, 0.2A, 50/60Hz
Rated	Non continuous
Class	I appliance
Max. unit output	n/a
Max. water temp	40°C / 104°F
Inlet/outlet	50mm in, 10mm out
IP Protection	IP24
Safety switch	3.0A Normally closed
Thermal protection	✓
Fully potted	n/a
Self priming	n/a



### SUGGESTED XTRA ACCESSORIES

Description	Part No.
1 Amp Fuse	FP2620
Tube To Soil Stack Adaptor	FP2038
Vinyl Tube Braided 3/8" (10mm)	AX5101
StayClean Strips	FP1248

**Xtra** For more installation accessories take a look at our Aspen Xtra range

### LOW PROFILE ERRP OPTIONS

Low Profile ERRP – top inlet	FP2597
Low Profile ERRP – side inlet	FP2805

\* Side inlet only

### IN THE BOX

Low Profile ERRP pump • 2m Plug & play power cable • 1 1/2" BSP connector (for 40mm ID waste pipe) • Install manual

Download manual at [aspenpumps.com](http://aspenpumps.com)

Information correct at time of going to press.



[aspenpumps.com](http://aspenpumps.com)

+44 (0)1323 848842

[sales@aspenpumps.com](mailto:sales@aspenpumps.com)

reliable | silent | simple



AIR CONDITIONING



REFRIGERATION



HEATING



# ERRP

## CONDENSATE REMOVAL PUMP

Made of robust plastic, the lightweight ERRP (Economical Retail Refrigeration Pump) effectively pumps away defrost water and filters debris.



225L/h max. flow



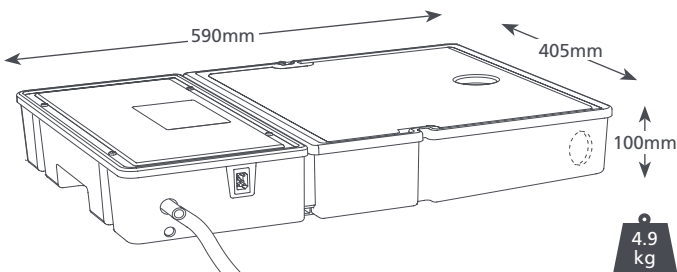
35m max. rec. head (flow rate 25L/h)

### KEY FEATURES

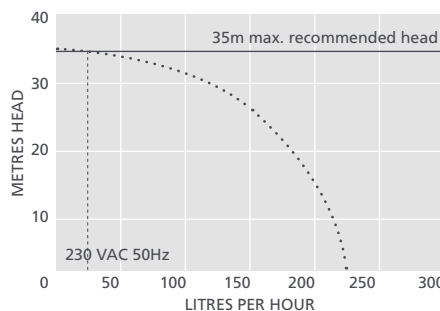
- Top & side inlet options
- Easy to clean & carry
- Filter to catch debris
- Plug & play

### SUITABILITY

- Refrigeration units; cold store cabinets
- ✓ **Perfect for...** Multiple refrigeration units



ERRP @ 230 VAC 50Hz	
Max. flow	225L/h @ 0 head
Max. rec. head	35m
Tank capacity	11L
dB(A) @ 1m	60
Power supply	230 VAC, 0.2A, 50/60Hz
Rated	Non continuous
Class	I appliance
Max. unit output	n/a
Max. water temp	40°C / 104°F
Inlet/outlet	50mm in, 10mm out
IP Protection	IP24
Safety switch	3.0A Normally closed
Thermal protection	✓
Fully potted	n/a
Self priming	n/a



SUGGESTED XTRA ACCESSORIES	
Description	Part No.
1 Amp Fuse	FP2620
Tube To Soil Stack Adaptor	FP2038
Vinyl Tube Braided 3/8" (10mm)	AX5101
StayClean Strips	FP1248

**Xtra** For more installation accessories take a look at our Aspen Xtra range

ERRP OPTIONS	
ERRP – top inlet	FP2318
ERRP – side inlet	FP2320
* Side inlet only	

IN THE BOX
ERRP pump • 2m Plug & play power cable • 1 1/2" BSP connector (for 40mm ID waste pipe)* • Install manual

Download manual at [aspenspumps.com](http://aspenspumps.com)

Information correct at time of going to press.



AIR CONDITIONING



REFRIGERATION



HEATING



EN

# Cold Cabinet

## CONDENSATE REMOVAL PUMP

A superior stainless steel refrigeration pump built to last. Designed to fit beneath refrigeration units, it pumps away defrost water and filters debris.



225L/h max. flow



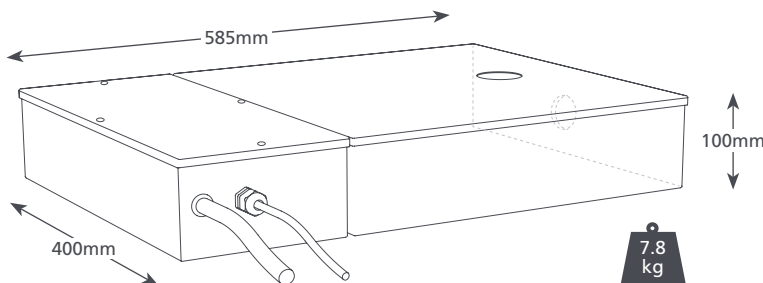
35m max. rec. head (flow rate 10L/h)

### KEY FEATURES

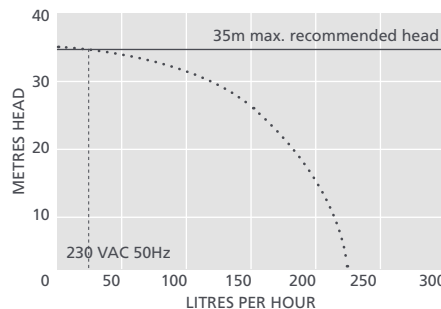
- Top & side inlet options
- Large reservoir
- Stainless steel case
- Plug & play

### SUITABILITY

- Single and multiple refrigeration units, OEM
- ✓ **Perfect for...** Multiple refrigeration units



COLD CABINET @ 230 VAC 50Hz	
Max. flow	225L/h @ 0 head
Max. rec. head	35m
Tank capacity	11L
dB(A) @ 1m	60
Power supply	230 VAC, 0.38A, 50/60Hz
Rated	Non continuous
Class	I appliance
Max. unit output	n/a
Max. water temp	40°C / 104°F
Inlet/outlet	50mm in, 10mm out
IP Protection	IP21
Safety switch	3.0A Normally closed
Thermal protection	✓
Fully potted	n/a
Self priming	n/a



### SUGGESTED XTRA ACCESSORIES

Description	Part No.
1 Amp Fuse	FP2620
Tube To Soil Stack Adaptor	FP2038
Vinyl Tube Braided 3/8" (10mm)	AX5101
StayClean Strips	FP1248

**Xtra** For more installation accessories take a look at our Aspen Xtra range

### COLD CABINET OPTIONS

Cold Cabinet – top inlet	FP2119
Cold Cabinet – side inlet	FP2120

\* Side inlet only

### IN THE BOX

Cold Cabinet pump • 2m Plug & play power cable • 1 1/2" BSP connector (for 40mm ID waste pipe)\* • Install manual

Download manual at [aspenspumps.com](http://aspenspumps.com)

Information correct at time of going to press.



[aspenspumps.com](http://aspenspumps.com)

+44 (0)1323 848842

[sales@aspenspumps.com](mailto:sales@aspenspumps.com)

reliable | silent | simple



AIR CONDITIONING



REFRIGERATION



HEATING



# Macerator 4L & 10L

## CONDENSATE REMOVAL PUMP

Designed to collect defrost water from multiple refrigeration cabinets. The internal filter blade prevents the pumps from clogging, allowing longer intervals between maintenance visits.



780L/h max. flow



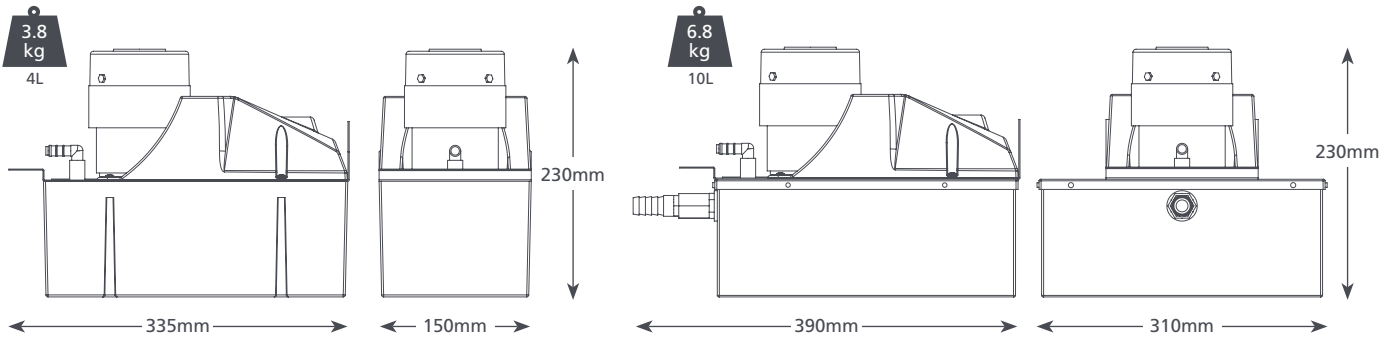
8.5m max. rec. head  
(flow rate 80L/h)

### KEY FEATURES

- Internal filter blade
- High flow & head
- Hi-level safety switch

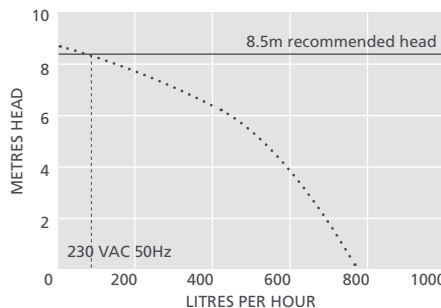
### SUITABILITY

- Single and multiple refrigeration units
- ✓ **Perfect for...** handling food waste that may pass through the pump



### MACERATOR 4L & 10L @ 230 VAC 50Hz

Max. flow	780L/h @ 0 head
Max. rec. head	8.5m
Tank capacity	4L & 10L
dB(A) @ 1m	64
Power supply	230 VAC, 0.38A, 50/60Hz
Rated	Non continuous
Class	I appliance
Max. unit output	n/a
Max. water temp	40°C / 104°F
Inlet/outlet	x2 40 & 55mm in, 10mm out
Additional inlet	3/4" in tank (10L only)
IP Protection	4L & 10L: IP21
Safety switch	4.0A Normally closed
Thermal protection	✓
Self priming	n/a



### SUGGESTED XTRA ACCESSORIES

Description	Part No.
1 Amp Fuse	FP2620
Tube To Soil Stack Adaptor	FP2038
Vinyl Tube Braided 3/8" (10mm)	AX5101
StayClean Strips	FP1248

**Xtra** For more installation accessories take a look at our Aspen Xtra range

### MACERATOR 4L & 10L OPTIONS

Macerator 4L	FP2305
Macerator 10L	FP2307

### IN THE BOX

Macerator 4L or 10L pump (including hard wired 2m power cable) • Install manual

Download manual at [aspenspumps.com](http://aspenspumps.com)

Information correct at time of going to press.



# Gel-clear Tablets

Gel-clear keeps condensate drains clear.  
Perfect for use with supermarket pumps.



## KEY FEATURES



Tablets

- Simple to use – no tools required
- Reduces operational costs
- Gel-clear 12 month tablets reduces water leak call-outs by 90-100%
- Gel-clear Minitabs last up to 3 months and are suitable with tank and mini condensate pumps

OPTIONS		SUITABILITY	OPTIONS		SUITABILITY
Tablet x1 (up to 12 months)	SC8750	Supermarket pumps	Minitabs x6 (up to 3 months ea)	SC8930	Tank pumps
Tablet x10 (up to 12 months ea)	SC8840				Condensate pumps

**12 MONTH**  
Effective Cleaning Per Tablet

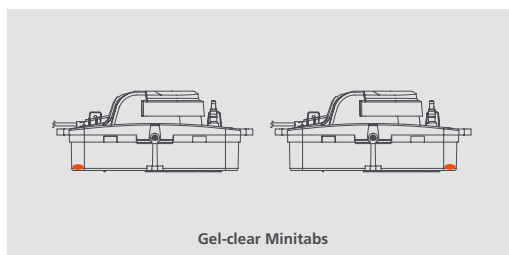
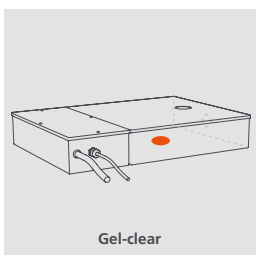


**UP TO 3 MONTHS**  
Effective Cleaning Per Minitab



## WINNERS

**HIVE 2017 BUSINESS AWARD FOR INNOVATION  
RAC COOLING INDUSTRY AWARD 2016 'PRODUCT OF  
THE YEAR – ACCESSORY, COMPONENT OR PROCESS'**



ASPEN  
**STORM**  
CHEMICALS

For further details please refer to our website [stormchemicals.com](http://stormchemicals.com)

Information correct at time of going to press.



[stormchemicals.com](http://stormchemicals.com)

+44 (0)1323 848842

[info@stormchemicals.com](mailto:info@stormchemicals.com)

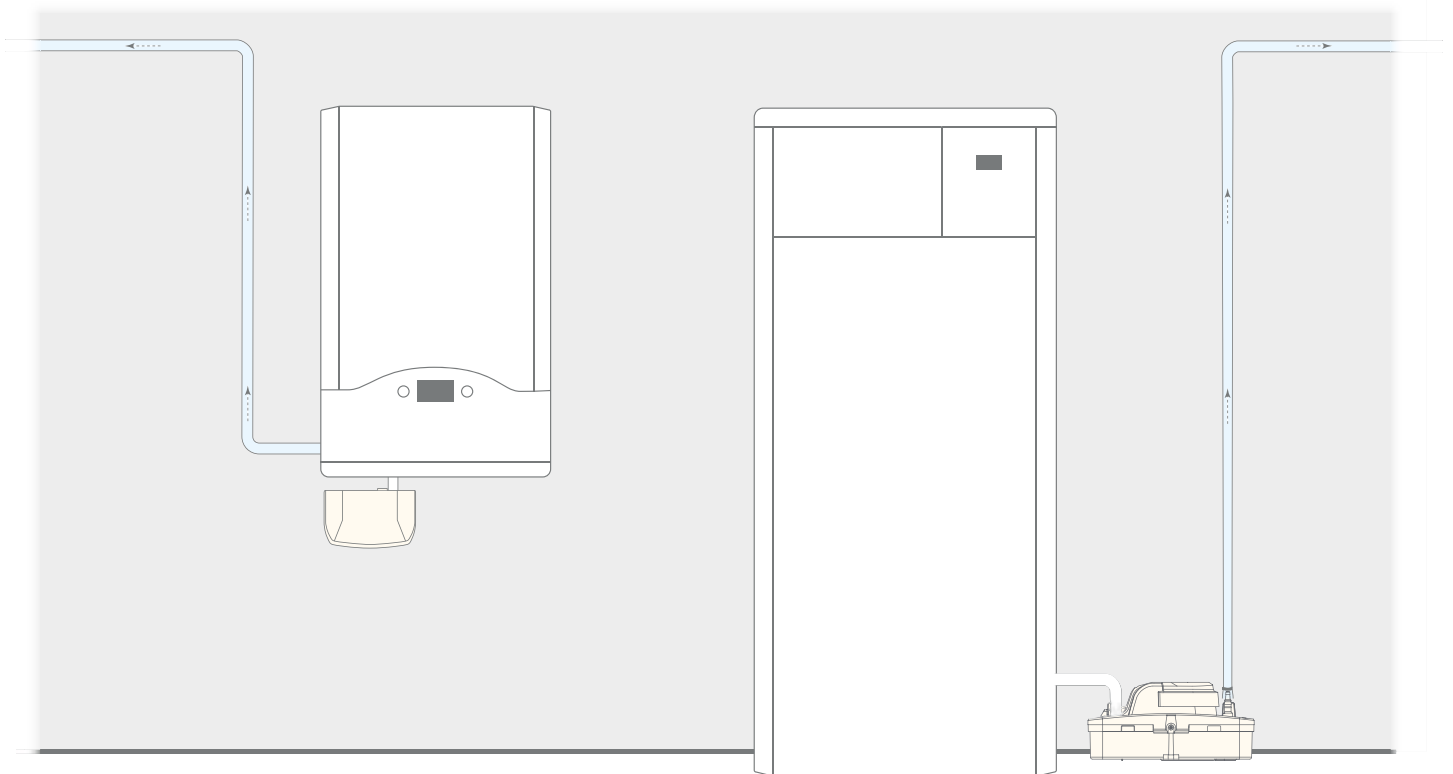
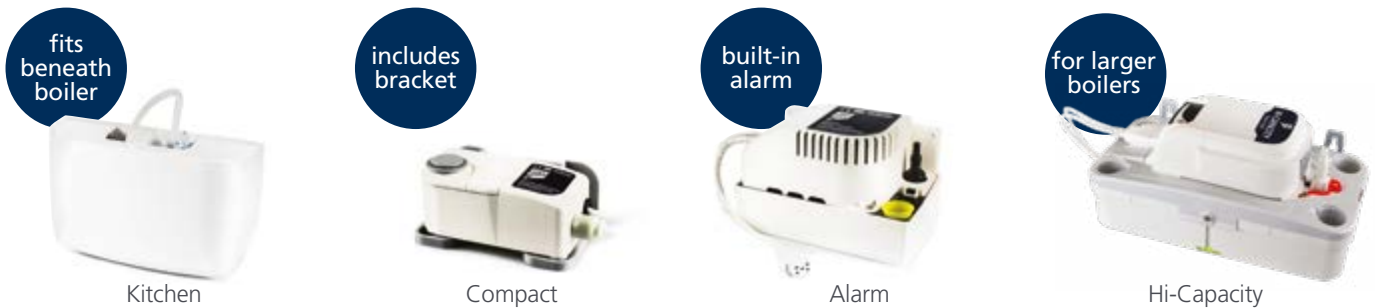


- Boiler specific
- High performance
- Easy inspection
- Great aesthetics

# Boiler pumps

## The perfect partnership

A condensing boiler is a high efficiency boiler that recycles and takes heat from the exhaust gases leaving excess water. Our high performance boiler pumps remove this excess water offering excellent performance, easy inspection and great aesthetics.



- 1 Kitchen boiler pump wall mounted beneath boiler (as can Compact boiler pump using supplied bracket)
- 2 Hi-Capacity boiler pump floor mounted next to floor standing boiler (as can the Alarm boiler pump and Compact boiler pump)



AIR CONDITIONING



REFRIGERATION



HEATING



EN

# Kitchen

## CONDENSATE REMOVAL PUMP

Designed to take the heat! Extra quick & easy to fit, the Kitchen all-in-one boiler pump is designed to be fitted beneath domestic gas boilers and furnaces.



12L/h max. flow



10m max. rec. head (flow rate 4L/h)



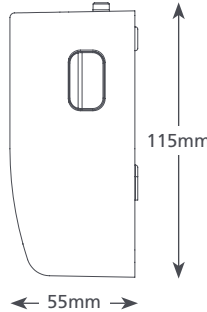
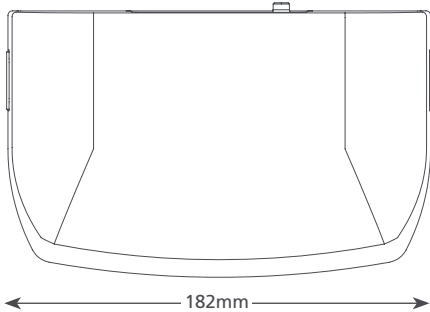
21dB(A)

### KEY FEATURES

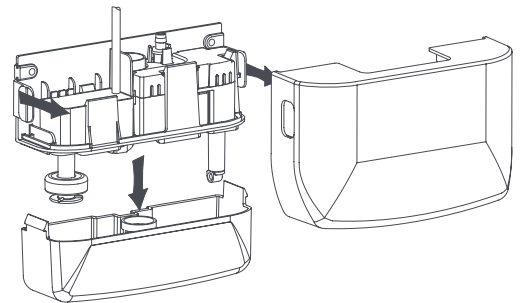
- Compact & discreet
- Mounts under boiler
- Quiet operation
- Clear removable reservoir

### SUITABILITY

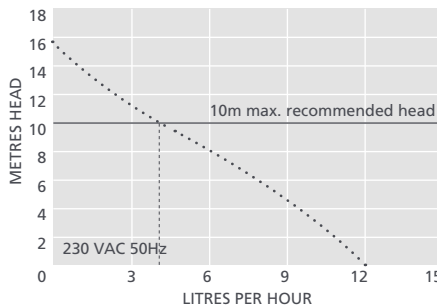
- Up to 45kW / 153,000Btu/h with condensate PH value >2.7
- ✓ **Perfect for...** Domestic gas fired condensing boilers & furnaces



0.46 kg



KITCHEN BOILER @ 230 VAC 50Hz	
Max. flow	12L/h @ 0 head
Max. rec. head	10m
Tank capacity	0.24L
dB(A) @ 1m	21
Power supply	230 VAC, 0.1A, 50/60Hz
Rated	Non continuous
Class	II appliance <input type="checkbox"/>
Max. unit output	45kW / 153,000Btu/h
Max. water temp	60°C / 140°F
Inlet/outlet	20mm in, 6mm out
IP Protection	IP21
Safety switch	3.0A Normally closed
Thermal protection	✓
Fully potted	✓
Self priming	✓



KITCHEN BOILER OPTIONS	
Kitchen boiler pump (UK)	FP2948
Kitchen boiler pump (EU)	FP2943

SUGGESTED XTRA ACCESSORIES	
Description	Part No.
Tube To Soil Stack Adaptor	FP2038
1 Amp Fuse	FP2620
Vinyl Tube Braided 1/4" (6mm)	AX5100
Acid Neutraliser	FP1021

**Xtra** For more installation accessories take a look at our Aspen Xtra range

IN THE BOX
Kitchen boiler pump (inc. 1m power cable)
• 6m discharge tube (6mm ID) • Inlet adaptor for 22 & 28mm pipe • Pipe adaptor • Fixing kit
• Install manual

Download manual at [aspenpumps.com](http://aspenpumps.com)

Information correct at time of going to press.



[aspenpumps.com](http://aspenpumps.com)

+44 (0)1323 848842

[sales@aspenpumps.com](mailto:sales@aspenpumps.com)

reliable | silent | simple



# Compact

## CONDENSATE REMOVAL PUMP



The compact boiler pump uses piston technology and has an impressive head and flow. Ideal for domestic gas boilers and furnaces.



35L/h max. flow



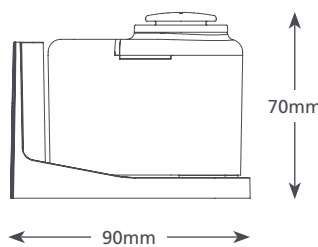
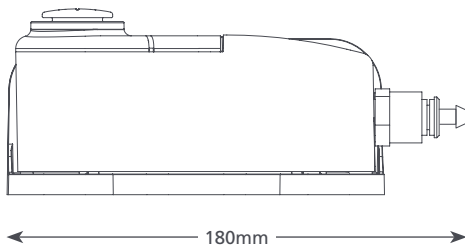
15m max. rec. head  
(flow rate 10L/h)

### KEY FEATURES

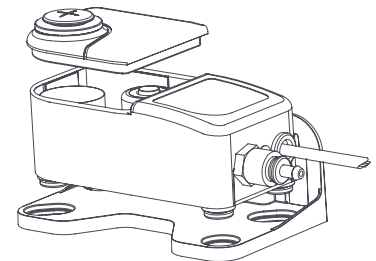
- Compact & discreet
- High head
- Bracket for easy install
- Easy servicing

### SUITABILITY

- Up to 85kW / 290,000Btu/h with condensate PH value >2.7
- Domestic gas fired condensing boilers; High efficiency gas furnace

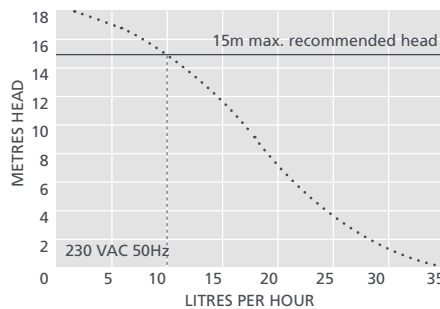


0.57 kg




### COMPACT BOILER @ 230 VAC 50Hz

Max. flow	35L/h @ 0 head
Max. rec. head	15m
Tank capacity	0.24L
dB(A) @ 1m	35
Power supply	230 VAC, 0.1A, 50/60Hz
Rated	Non continuous
Class	II appliance <input type="checkbox"/>
Max. unit output	85kW / 290,000Btu/h
Max. water temp	60°C / 140°F
Inlet/outlet	27mm in, 6 & 10mm out
IP Protection	IP67
Safety switch	3.0A Normally closed
Thermal protection	✓
Fully potted	✓
Self priming	n/a



### SUGGESTED XTRA ACCESSORIES

Description	Part No.
Tube To Soil Stack Adaptor	FP2038
1 Amp Fuse	FP2620
Vinyl Tube Braided 3/8" (10mm)	AX5101
Acid Neutraliser	FP1021

 For more installation accessories take a look at our Aspen Xtra range

### COMPACT BOILER OPTIONS

Compact boiler pump (UK)	FP2944
Compact boiler pump (EU)	FP2947

### IN THE BOX

Compact boiler pump (including hard wired 1m power cable) • Mounting Bracket • 6m discharge tube (6mm ID) • Pipe adaptor • Fixing kit • Install manual

 Download manual at [aspenspumps.com](http://aspenspumps.com)

Information correct at time of going to press.



AIR CONDITIONING



REFRIGERATION



HEATING



# Alarm

## CONDENSATE REMOVAL PUMP

The next step up, our Alarm boiler pump uses centrifugal technology and comes with a built in audible alarm for extra piece of mind.



300L/h max. flow



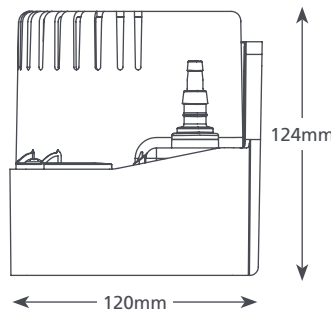
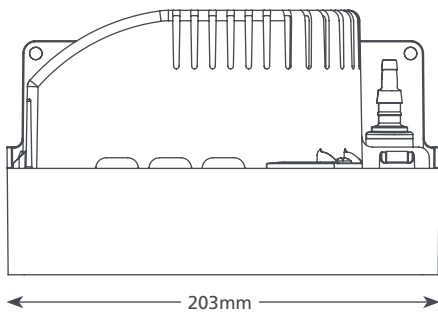
3.2m max. rec. head (flow rate 50L/h)

### KEY FEATURES

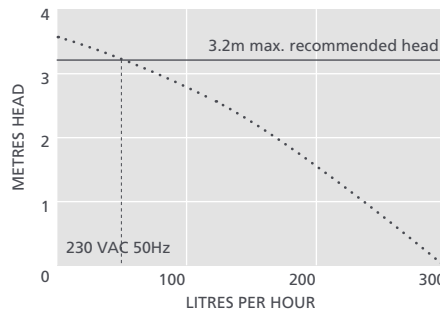
- Audible alarm
- Plug & play
- Non return valve
- Wall or floor mounted

### SUITABILITY

- Up to 100kW / 341,000Btu/h with condensate PH value >2.7
- Domestic gas & oil fired condensing boilers; High efficiency gas furnace



ALARM BOILER @ 230 VAC 50Hz	
Max. flow	300L/h @ 0 head
Max. rec. head	3.2m
Tank capacity	0.5L
dB(A) @ 1m	60
Power supply	230 VAC, 0.45A, 0.95W, 50Hz
Rated Class	Non continuous I appliance
Max. unit output	100kW / 341,000Btu/h
Max. water temp	60°C / 140°F
Inlet/outlet	27mm in, 6 & 10mm out
IP Protection	IP20
Safety switch	3.0A Normally closed
Thermal protection	✓
Fully potted	n/a
Self priming	n/a



### SUGGESTED XTRA ACCESSORIES

Description	Part No.
Tube To Soil Stack Adaptor	FP2038
1 Amp Fuse	FP2620
Vinyl Tube Braided 3/8" (10mm)	AX5101
Acid Neutraliser	FP1021

**Xtra** For more installation accessories take a look at our Aspen Xtra range

### ALARM BOILER OPTIONS

Alarm boiler pump (UK)	FP2950
Alarm boiler pump (EU)	FP2949

### IN THE BOX

- Alarm boiler pump
- 2m Plug & play power cable
- 6m discharge tube (6mm ID)
- Pipe adaptor
- Fixing kit
- Install manual

Download manual at [aspenspumps.com](http://aspenspumps.com)

Information correct at time of going to press.



[aspenspumps.com](http://aspenspumps.com)

+44 (0)1323 848842

[sales@aspenspumps.com](mailto:sales@aspenspumps.com)

reliable | silent | simple



AIR CONDITIONING



REFRIGERATION



HEATING



# Hi-Capacity

## CONDENSATE REMOVAL PUMP

This high efficiency boiler pump offers unsurpassed performance and is ideal for commercial boiler applications.



550L/h max. flow



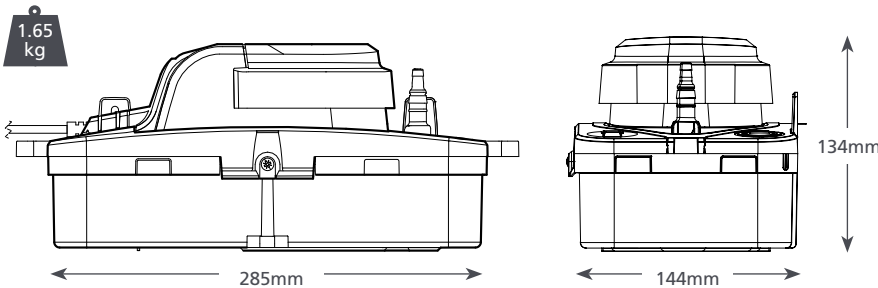
5m max. rec. head  
(flow rate 10L/h)

### KEY FEATURES

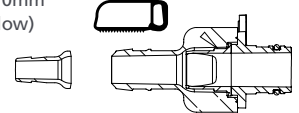
- Easy access tank
- Twist & click non return outlet barb
- Built-in spirit level
- Plug & play

### SUITABILITY

- Up to 200kW / 682,000Btu/h with condensate PH value >2.2
- ✓ **Perfect for...** Larger domestic commercial gas & oil fired condensing boilers



Non-return valve can be cut from 6mm to 10mm (see graphs below)



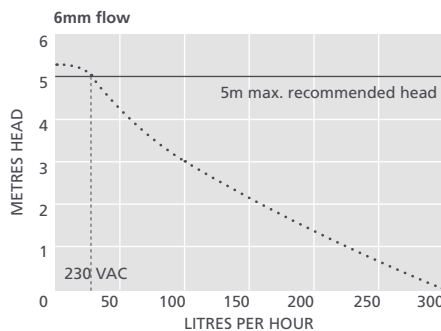
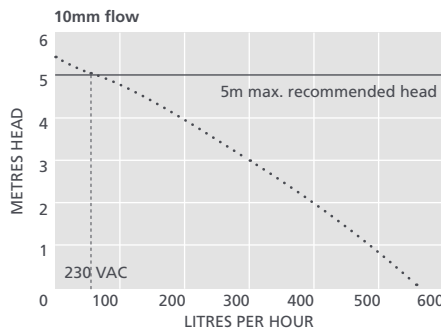
### HI-CAPACITY OPTIONS

Hi-Capacity (EU)

FP3356

### HI-CAPACITY @ 230 VAC 50Hz

Max. flow	550L/h @ 0 head
Max. rec. head	5m
Tank capacity	1.7L
dB(A) @ 1m	44
Power supply	230 VAC, 0.8A, 50Hz
Rated	Non continuous
Class	I appliance
Max. unit output	200kW / 682,000 Btu/h
Max. water temp	60°C / 140°F
Inlet/outlet	x4 21-27mm in, 6-10mm out
IP Protection	IP24
Safety switch	3.0A Normally closed
Thermal protection	✓
Fully potted	n/a
Self priming	n/a



### SUGGESTED XTRA ACCESSORIES

Description	Part No.
Tube To Soil Stack Adaptor	FP2038
1 Amp Fuse	FP2620
Vinyl Tube Braided 1/4" (6mm)	AX5100
Vinyl Tube Braided 3/8" (10mm)	AX5101



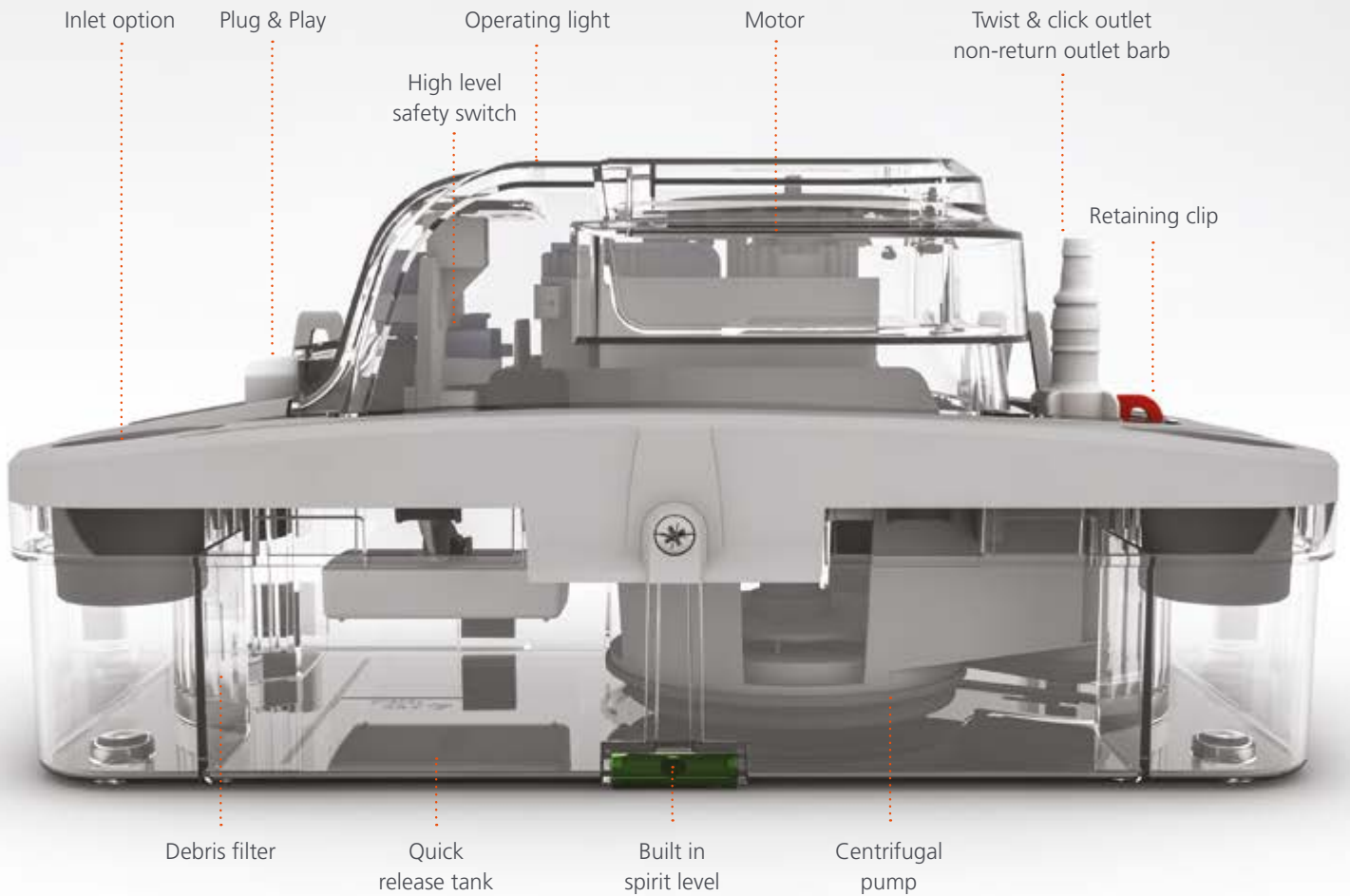
For more installation accessories take a look at our Aspen Xtra range

### IN THE BOX

Hi-Capacity boiler pump • 2m Plug & play power cable • 6m discharge tube (10mm ID)  
• Pipe adaptor • Fixing kit • x4 feet • Install manual

Download manual at [aspenpumps.com](http://aspenpumps.com)

Information correct at time of going to press.



# The professional way

So why should you choose a condensate pump? Traditionally, removing condensate water from an air conditioning unit is an inflexible and often unattractive challenge.

## INSTALLATION FLEXIBILITY

We understand that flexibility is key when considering your installation. Gravity drainage can often bring limitations on placement of the unit – indoor or outdoor. Condensate removal pumps allow optimum positioning and aesthetics in any installation, without losing out on efficiency or performance. Aspen Pumps give ultimate installation flexibility whatever the application.



## THE ONLY OPTION

Sometimes gravity drainage just isn't an option. Removal of condensate water in spaces such as basements, shallow ceiling voids and glass buildings never need to be a problem again. Maintenance is easy, and with a wide range of pumps to choose from, service, relocation or replacement is stress-free. As engineers, we understand that your time is precious, so we take the time to get it right for you.



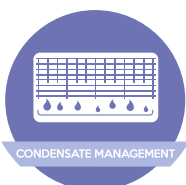
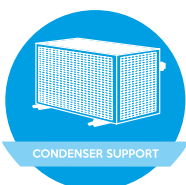
## A PROFESSIONAL INSTALL

Condensate removal pumps ensure a professional, aesthetically pleasing installation every time. With easy access for maintenance, a pump ensures that air conditioning units are placed where requested with no unsightly pipework. The condensate water can be effectively managed to the relevant source such as a soil stack or grey water tank, ensuring a professional finish everytime.





*One of the worlds largest range  
of HVAC/R installation accessories!*





### PIPE SUPPORT



Pipe Fixings Selector	50
Channel Fixing	51-53
Rod Fixing	54-57
Rod and Surface	58-59
Surface Mount	60-63
SpeediDuct Trunking	64

### CONTROLS

Isolator	65
Fan Speed Controller	66
Hi-Level Water Sensor	66

### CONDENSER SUPPORT

Split Bracket	67
Composite Bracket	68
Galvanised Arm	68
Condensing Unit Block	69
Drip Tray	70
Condensing Unit Guard	71
Rapid Fit Guard	72

### CONDENSATE MANAGEMENT

Vinyl Tubing	73
Connectors	74-75
Rigid Pipe and Fittings	76-77

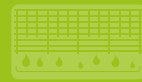
### SERVICING

Portable AC Unit	78
Accessories Kit	79
Veto Tool Bags	80-81

### ANCILLARIES

Fast Clip	82
Condensate Traps	82
Pump Accessories	83
Acid Neutraliser	84







PIPE SUPPORT

EN

# Pipe fixings selector

 Channel
  Rod
  Surface

 Refrigeration	Range size	Holds copper pipe	Holds insulated pipe	Mounting method	Vertical support	Horizontal support	Fire sensitive zone
QPC	1/4" – 1 5/8"	•		Channel	•	•	
Insulclamp	1/4" – 4 1/8"	•		Channel	•	•	•
Channel Clips	1/4" – 2 1/8"	•	•	Channel	•	•	
Stud Clip M8	1/4" – 2 1/8"	•	•	8mm Stud		•	
Stud Clip M8 3 1/8"	3 1/8"		•	8mm Stud		•	
Stud Clip M10	1/4" – 2 1/8"	•	•	10mm Stud		•	
Barb Clip	7/8" – 1 3/8"		•	Surface		•	
Nail Clip	1 – 1 5/8"		•	Surface		•	
Pipe Ties	250 – 400mm			Surface	•	•	

 Air conditioning	Range size	Holds copper pipe	Holds insulated pipe	Mounting method	Vertical support	Horizontal support	Fire sensitive zone
Qpc	1/4" – 1 5/8"	•		Channel	•	•	•
Insulclamp	1/4" – 4 1/8"	•		Channel	•	•	•
Metal Hanger	3/8", 1/2", 5/8"		•	8/10mm Stud		•	•
Pinch Clip	1/2", 5/8", 3/4"		•	8/10mm Stud and Surface		•	•
Stud Clip (2 pipe)	1/2" – 1 1/8"		•	8mm Stud		•	
3 Pipe Clip	3/8" – 1 5/8"		•	8/10mm Stud and Surface		•	•
Plastic Hanger	3/8" – 1 1/8"		•	8/10mm Stud		•	
Grip Lock	1/4" – 1 1/8"		•	Surface		•	•
Barb Clip (2 pipe)	7/8" – 1 3/8"		•	Surface	•	•	•
Pipe Ties	250 – 400mm			Surface		•	

Information correct at time of going to press.



# Quick Positioning Clip

A simple twist and clip channel clip ideal for air conditioning and refrigeration installations.



Channel



Rod



Surface

## KEY FEATURES

- Easy installation into 40mm x 40mm and 40mm x 20mm channel
- External diameter matches diameter of pipes with 9mm insulation
- Excellent resistance to oil
- Helps dampen noise and vibrations

### SPECIFICATIONS

Materials of construction	Nylon
Max. temp	70°C
Max. rec. distance per clip	1.2m

Compatible with Fix-it Foot from Big Foot Systems



Aluminium Channel (3m lengths) available:  
Part No. B6023

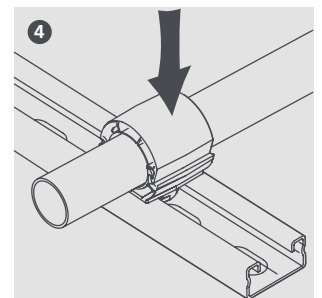
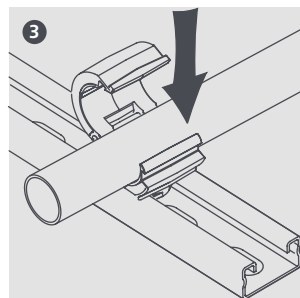
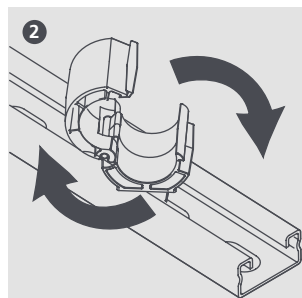
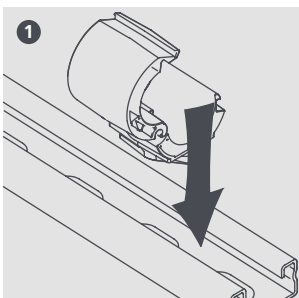


### SIZING OPTIONS

Size	Max. Unsupported Span (m)	Height Above Channel (mm)	Part No. (Plastic Bag)	Pack Qty (Plastic Bag)
1/4"	1.2	21	B6445	10
3/8"	1.2	24	B6447	10
1/2"	1.2	27	B6444	10
5/8"	1.2	31	B6448	10
3/4"	1.2	34	B6446	10
7/8"	1.2	37	B6449	10
1 1/8"	1.2	43	B6442	10
1 3/8"	1.2	50	B6443	10
1 5/8"	1.2	56	B6538	10



For further details please refer to our website [aspenspumps.com/xtra](http://aspenspumps.com/xtra)



Information correct at time of going to press.



# Insulclamp

Channel clip ideal for bigger commercial air conditioning and refrigeration installations.



Channel



Rod



Surface

## KEY FEATURES

- Easy installation into 40mm x 40mm and 40mm x 20mm channel
- Insulates against heat loss and reduces vibration
- Quick to install with lock nuts
- Fits into shallow void
- Supports individual pipes into a thermo-rubber cushion between two metal plates
- Thermo-rubber cushion insert withstands maximum temperature of 130°C (zinc bracket 1000°C)

### SPECIFICATIONS

Materials of construction	Zinc passivated steel with rubber cushion
Max. temp	130°C
Max. rec. distance per clip	1.2m

### OTHER PROPERTIES

Thermal conductivity	K = 0.27 W/m°C
----------------------	----------------

Compatible with Fix-it Foot from Big Foot Systems



Aluminium Channel lengths available:  
Part No. B6023 (3m), B6000 (1m)

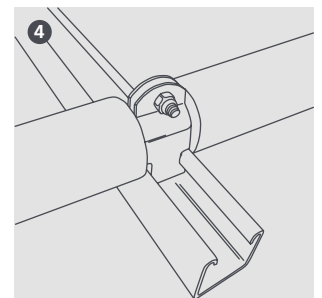
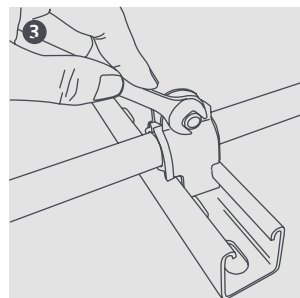
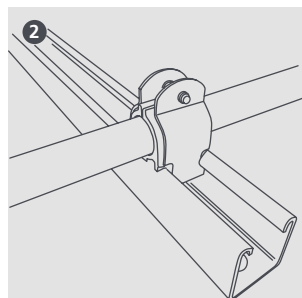
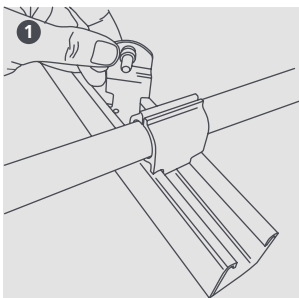


### SIZING OPTIONS

Size	Max. Unsupported Span (m)	Height Above Channel (mm)	Part No. (Plastic Bag)	Pack Qty (Plastic Bag)
1/4"	1.2	32	B6268	10
3/8"	1.2	35	B6274	10
1/2"	1.2	38	B6267	10
5/8"	1.2	41	B6276	10
3/4"	1.2	44	B6273	10
7/8"	1.2	47	B6277	10
1 1/8"	1.2	54	B6264	10
1 3/8"	1.2	60	B6265	10
1 5/8"	1.2	76	B6266	10
2 1/8"	1.2	92	B6269	5
2 5/8"	1.2	98	B6270	5
3 1/8"	1.2	117	B6271	5
3 5/8"	1.2	130	B6272	5
4 1/8"	1.2	143	B6275	5



For further details please refer to our website [aspenspumps.com/xtra](http://aspenspumps.com/xtra)



Information correct at time of going to press.



# Channel Clip

Unique ratchet design ensures quick installation with good hold both vertically and horizontally.



Channel



Rod



Surface

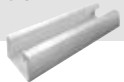
## KEY FEATURES

- Easy installation into 40mm x 40mm and 40mm x 20mm channel
- Unique lockable ratchet design
- Fits metric and imperial pipe sizing
- Quick to fit over insulated pipes
- Safety lock ensure that the correct pressure is applied to hold both pipe and insulation

### SPECIFICATIONS

Materials of construction	Nylon
Max. temp	+70°C
Max. rec. distance per clip	1.2m

Aluminium Channel lengths available:  
Part No. B6023 (3m), B6000 (1m)

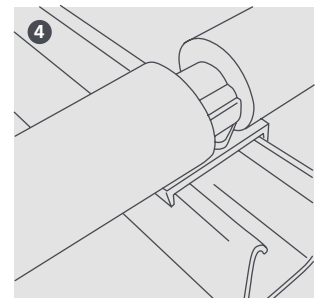
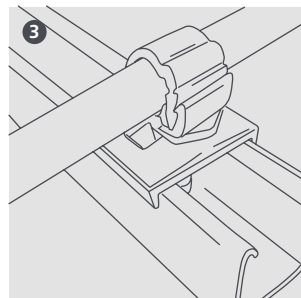
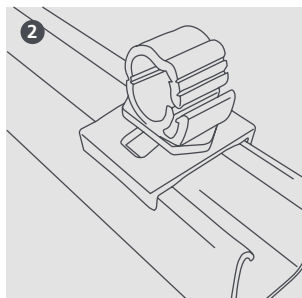
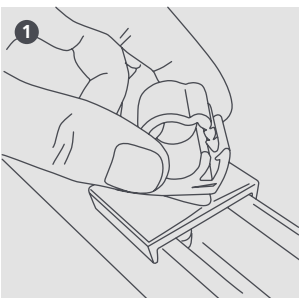


### SIZING OPTIONS

Size	Lagging				Part No.	Pack Qty
	6mm	9mm	13mm	19mm		
6mm (1/4")					B6842	10
10mm (3/8")					B6844	10
13mm (1/2")					B6843	10
16mm (5/8")					B6845	10
19mm (3/4")	1/4"				B6846	10
22mm (7/8")	3/8"				B6847	10
25mm (1")	1/2"	1/4"			B6848	10
28mm (1 1/8")	5/8"	3/8"			B6849	10
32mm (1 1/4")	3/4" 7/8"	1/2" 5/8"	1/4"		B6850	10
35mm (1 3/8")		3/4"	3/8" 1/2"		B6851	10
38mm (1 1/2")	1 1/8"	7/8"	5/8"		B6852	10
41mm (1 5/8")	1 3/8"	1 1/8"	3/4" 7/8"	1/4" 3/8"	B6853	10
50mm (2")				1/2"	B6854	10
55mm (2 1/8")	1 5/8"	1 3/8" 1 5/8"	1 1/8" 1 3/8"	5/8" 3/4" 7/8"	B6855	10



For further details please refer to our website [aspenpumps.com/xtra](http://aspenpumps.com/xtra)



Information correct at time of going to press.



# Metal Hanger

A rod clip ideal for supporting air conditioning line set pairs.



Channel



Rod



Surface

## KEY FEATURES

- Fits on both M8 and M10 studding
- Zinc passivated to resist corrosion
- Rapid 2 pipe installation
- Ideal for when you need to meet fire regulations
- Avoids the need for cable trays

### SPECIFICATIONS

Materials of construction	Zinc passivated mild steel
Max. temp	1000°C
Max. rec. distance per clip	1.2m

### SIZING OPTIONS

Description	Liquid*	Gas*	Part No.	Pack Qty
2	3/8"	5/8"	B6492	10
3	1/2"	7/8"	B6493	10
4	5/8"	1 1/8"	B6494	10

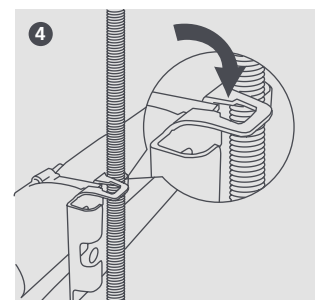
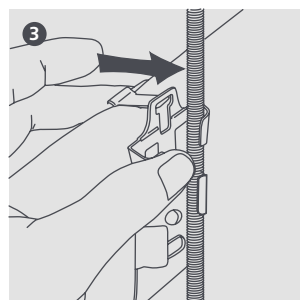
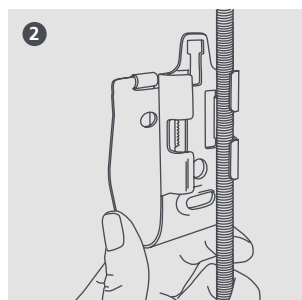
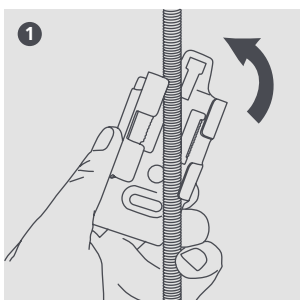
\* Approximate pipe sizes (allowing for insulation)



Material: BS EN 10230:2006. Coating: BS EN 12329:2000



For further details please refer to our website [aspenspumps.com/xtra](http://aspenspumps.com/xtra)



Information correct at time of going to press.



# Stud Clip

Unique ratchet design ensures quick installation and adjustment.



Channel



Rod



Surface

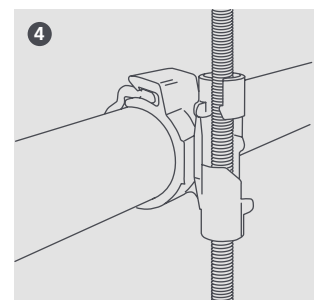
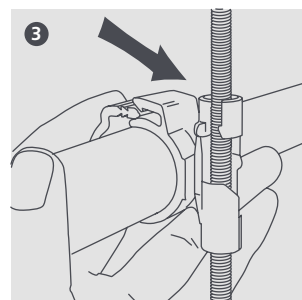
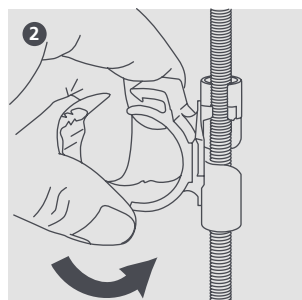
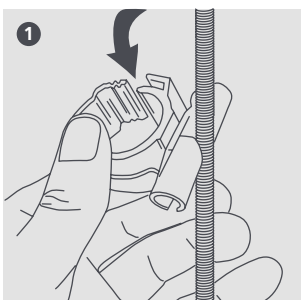
## KEY FEATURES

- Available for M8 and M10 studding
- Fast fixing direct to studding
- Simple to install, adjust and relocate
- Fits metric and imperial pipe sizes

SPECIFICATIONS		SIZING OPTIONS				M8		M10		
Materials of construction	Nylon	Size	6mm	Lagging 9mm 13mm 19mm		Part No.	Pack Qty	Part No.	Pack Qty	
Max. temp	70°C	1/4"				B6800	10	B6814	10	
Max. rec. distance per clip	1.2m	3/8"				B6802	10	B6816	10	
		1/2"				B6801	10	B6815	10	
		5/8"				B6803	10	B6817	10	
		3/4"	1/4"			B6804	10	B6818	10	
		7/8"	3/8"			B6805	10	B6819	10	
		1"	1/2"	1/4"		B6806	10	B6820	10	
		1 1/8"	5/8"	3/8"		B6807	10	B6821	10	
		1 1/4"	3/4" 7/8"	1/2" 5/8"		B6808	10	B6822	10	
		1 3/8"		3/4"	3/8" 1/2"	B6809	10	B6823	10	
		1 1/2"	1 1/8"	7/8"	5/8"	B6810	10	B6824	10	
		1 5/8"	1 3/8"	1 1/8"	3/4" 7/8"	1/4" 3/8"	B6811	10	B6825	10
		2"				1/2"	B6812	10	B6826	10
		2 1/8"	1 5/8"	1 3/8" 1 5/8"	1 1/8" 1 3/8"	5/8" 3/4" 7/8"	B6813	10	B6827	10



For further details please refer to our website [aspenpumps.com/xtra](http://aspenpumps.com/xtra)



Information correct at time of going to press.

EN

# Stud Clip M8 3 1/8" and 2 Pipe



A new range of stud clips that are ideal for refrigeration and air conditioning systems.



Channel



Rod



Surface

### KEY FEATURES (STUD CLIP M8 3 1/8")

- The Stud Clip M8 3 1/8" is ideal for refrigeration pipework with a versatile ratchet from 54mm to 80mm pipe sizes
- Fast fixing direct to studding
- Fits metric and imperial pipe sizes

### KEY FEATURES (2 PIPE)

- Offers horizontal support for pipe sets on air conditioning systems
- Available for M8 and M10 studding
- Simple to install, adjust and relocate
- Secure extendable ratchet closure
- Clip encloses both line set and cables

### SPECIFICATIONS

Materials of construction	Nylon
Max. temp	70°C
Max. rec. distance per clip	1.2m

### SIZING OPTIONS

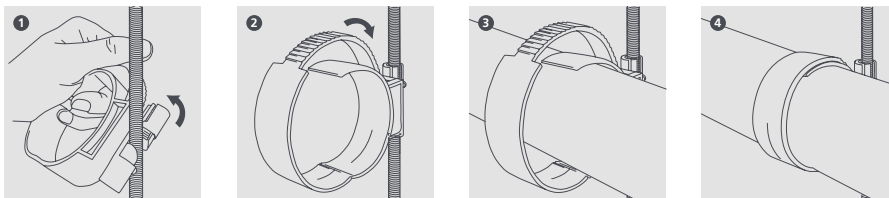
Size	Part No.	Pack Qty
Stud Clip 80mm (3 1/8")	B7200	5
M8 2 pipe 1/2" - 7/8" to 5/8" - 1 1/8"	B7205	5
M10 2 pipe 1/2" - 7/8" to 5/8" - 1 1/8"	B7210	5

Approximate pipe sizes (allowing for 13mm insulation)

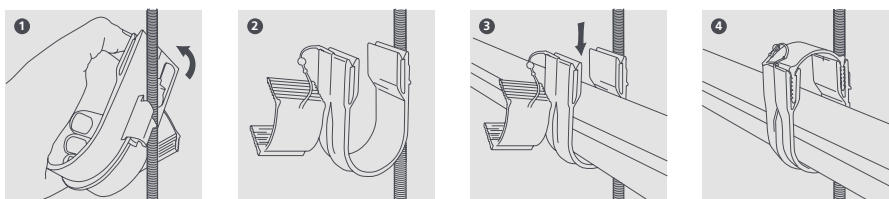


For further details please refer to our website [aspenspumps.com/xtra](http://aspenspumps.com/xtra)

### STUD CLIP M8 3 1/8" INSTALL



### STUD CLIP M8/M10 2 PIPE INSTALL



Information correct at time of going to press.



# Plastic Hanger

This dual stud size clamping system will fit securely to both M8 and M10 studding.



Channel



Rod



Surface

## KEY FEATURES

- Easy installation
- Fits on both M8 and M10 studding
- Avoids the need for cable tray
- Adjustable clipping mechanism

### SPECIFICATIONS

Materials of construction	Nylon
Max. temp	70°C
Max. rec. distance per clip	1.2m

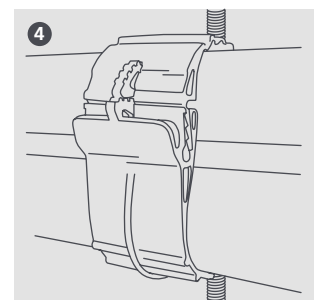
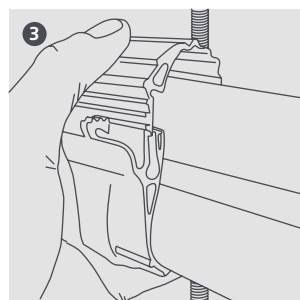
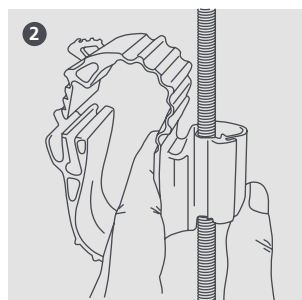
### SIZING OPTIONS

Description	Liquid*	Gas*	Rod Fitting Size	Part No.	Pack Qty
P2	3/8"	5/8"	8-10mm drop	B6543	5
P3	1/2"	7/8"	8-10mm drop	B6544	5
P4	5/8"	1 1/8"	8-10mm drop	B6545	5
P2	3/8"	5/8"	6-8mm drop	B6715	5
P3	1/2"	7/8"	6-8mm drop	B6716	5
P4	5/8"	1 1/8"	6-8mm drop	B6717	5

\* Approximate pipe sizes (allowing for insulation)



For further details please refer to our website [aspenspumps.com/xtra](http://aspenspumps.com/xtra)



Information correct at time of going to press.





# Pinch Clip

The Xtra Pinch Clip rod clip is ideal for air conditioning line set pairs.



Channel



Rod



Surface

## KEY FEATURES

- Pinch Clip locates quickly to M8 and M10 studding
- Robust metal construction
- Snap shut lid secures pipe set
- Quick and easy pipe installation
- Wide metal construction for greater pipe support
- Can also be used for surface mount
- Ideal for when you need to meet fire regulations

### SPECIFICATIONS

Materials of construction	Powder coated mild steel
Max. temp	1000°C
Max. rec. distance per clip	1.2m

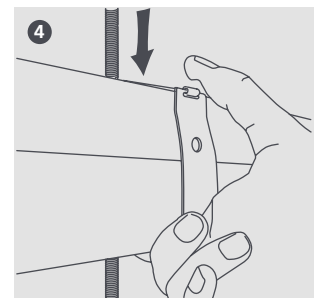
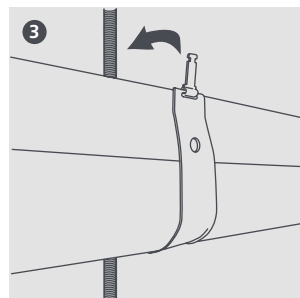
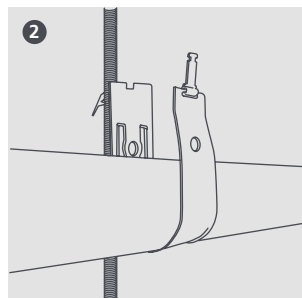
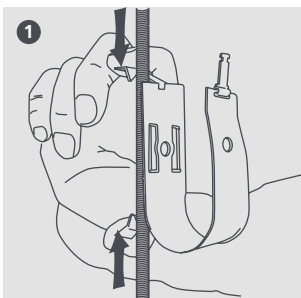
### SIZING OPTIONS

Description	Liquid*	Gas*	Part No.	Pack Qty
2	3/8"	5/8"	B6561	10
3	1/2"	7/8"	B6562	10
4	5/8"	1 1/8"	B6563	10

\* Approximate pipe sizes (allowing for insulation)



For further details please refer to our website [aspenspumps.com/xtra](http://aspenspumps.com/xtra)



Information correct at time of going to press.



# 3 Pipe Clip

The uniquely designed Xtra 3 Pipe Clip provides support for VRV/VRF systems pipework.



Channel



Rod



Surface

## KEY FEATURES

- Available for a wide range of pipe group sizes
- Locates to M8 and M10 studding
- Wide metal arms for greater pipe support
- No need for cable tray
- Hinge security cover plate fastens with one screw
- Can also be used for surface mount pipe support

## SPECIFICATIONS

Materials of construction	Powder coated mild steel
Max. temp	1000°C
Max. rec. distance per clip	1.2m

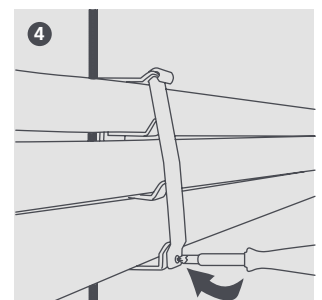
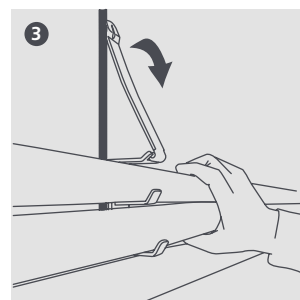
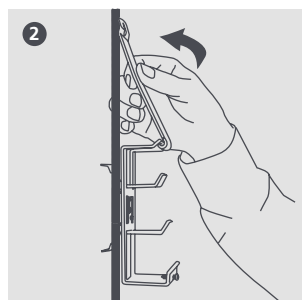
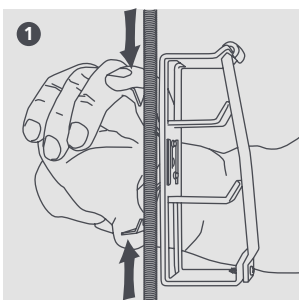
## SIZING OPTIONS

Description	Pipe groups from	Pipe groups to	Part No.	Pack Qty
1	3/8" 5/8" 3/4"	1/2" 3/4" 1"	B6361	5
2	1/2" 1 1/8" 3/4"	5/8" 1" 1 1/8"	B6362	5
3	5/8" 1 1/8" 1 1/8"	3/4" 1 3/8" 1 1/8"	B6363	5
4	7/8" 1 3/8" 1 1/8"	3/4" 1 5/8" 1 3/8"	B6364	5

Approximate pipe sizes (allowing for 13mm insulation)



For further details please refer to our website [aspenpumps.com/xtra](http://aspenpumps.com/xtra)



Information correct at time of going to press.



# Barb Clips

Ideal for horizontal support on refrigeration installations.



Channel



Rod



Surface

## KEY FEATURES

- Fast fixing directly into a 10mm hole without the need for screws or plugs
- Unique lockable ratchet design
- Fits metric and imperial pipe

### SPECIFICATIONS

Materials of construction	Nylon
Max. temp	70°C
Max. rec. distance per clip	1.2m

### SIZING OPTIONS

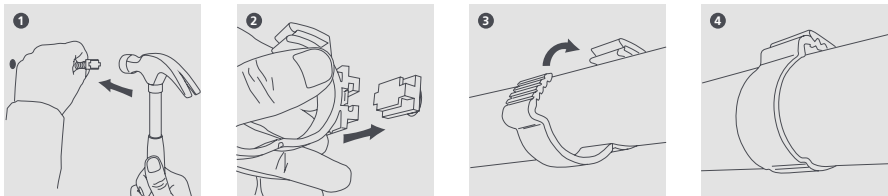
Size	Part No.	Pack Qty
22mm (7/8")	B7006	10
28mm (1 1/8")	B7008	10
32mm (1 1/4")	B7009	10
35mm (1 3/8")	B7010	10
2 pipe (1/2" - 7/8" to 5/8" - 1 1/8")	B7300	5

Approximate pipe sizes (allowing for 13mm insulation)

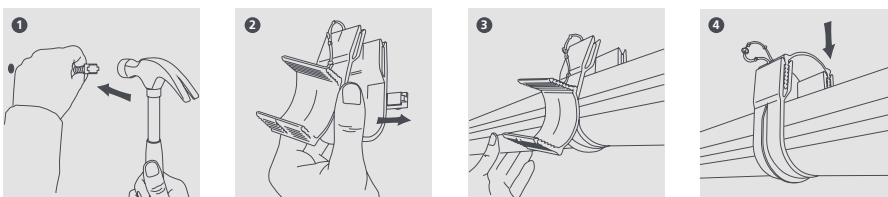


For further details please refer to our website [aspenspumps.com/xtra](http://aspenspumps.com/xtra)

### BARB CLIP 1 PIPE INSTALL



### BARB CLIP 2 PIPE INSTALL



Information correct at time of going to press.



# Nail Clip

Using unique features, this horizontal support clip is ideal for single pipework installations.



Channel



Rod



Surface

## KEY FEATURES

- Ideal for refrigeration installations
- Fast fixing direct to any surface
- Unique lockable ratchet design
- Use a nail gun for rapid install
- Ideal for both single and multiple runs
- Fits metric and imperial pipe sizing

### SPECIFICATIONS

Materials of construction	Nylon
Max. temp	70°C
Max. rec. distance per clip	1.2m

### SIZING OPTIONS

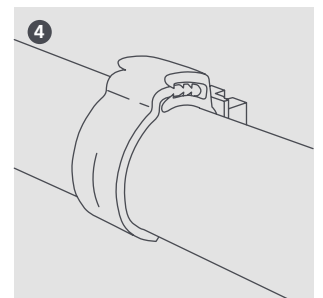
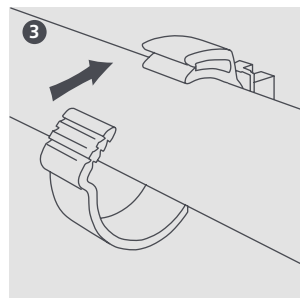
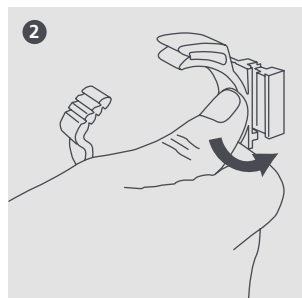
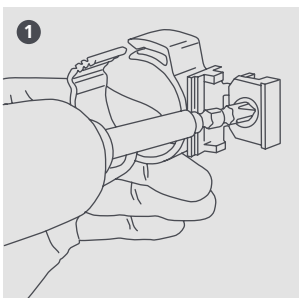
Size	Part No.	Pack Qty
25mm (1")	B7107	10
35mm (1 <sup>3</sup> / <sub>8</sub> "	B7110	10
38mm (1 <sup>1</sup> / <sub>2</sub> "	B7111	10
41mm (1 <sup>5</sup> / <sub>8</sub> "	B7112	10

For the complete list of sizes available visit [aspenpumps.com/xtra](http://aspenpumps.com/xtra)

Approximate pipe sizes (allowing for 13mm insulation)



For further details please refer to our website [aspenpumps.com/xtra](http://aspenpumps.com/xtra)



Information correct at time of going to press.



# Grip Lock

Best selling versatile clip mounts to any surface. Ideal for air conditioning line sets.



Channel



Rod



Surface

## KEY FEATURES

- Fits directly to a wall or solid ceiling
- Hinged for rapid pipe installation
- Space for electrical cables and condensate hose
- Zinc and colour passivated to resist corrosion
- Wide metal components for good pipe support

### SPECIFICATIONS

Materials of construction	Zinc passivated mild steel
Max. temp	1000°C
Max. rec. distance per clip	1.2m

### SIZING OPTIONS

Description	Liquid*	Gas*	Width (mm)	Height (mm)	Part No.	Pack Qty
Size 1	1/4"	1/2"	54	30	B6186	10
Size 2	3/8"	5/8"	60	32	B6187	10
Size 3	1/2"	7/8"	67	37	B6188	10
Size 4	5/8"	1 1/8"	80	46	B6189	10

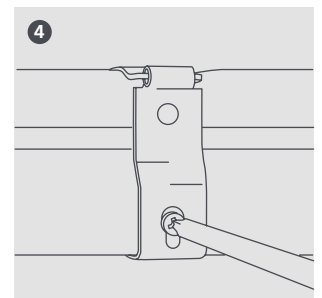
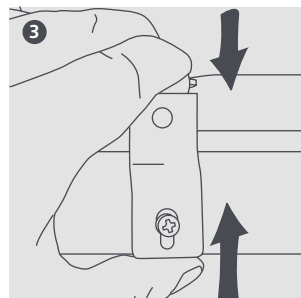
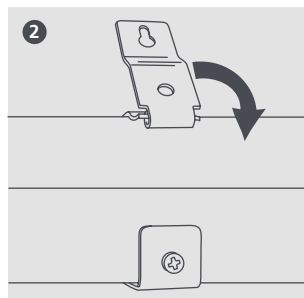
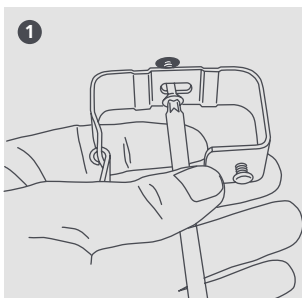
\* Approximate pipe sizes (allowing for 10mm insulation)



Material: BS EN 10230:2006. Coating: BS EN 12329:2000



For further details please refer to our website [aspenspumps.com/xtra](http://aspenspumps.com/xtra)



Information correct at time of going to press.



# Pipe Tie

Easy to fix and great for multiple pipework routes.



Channel



Rod



Surface

## KEY FEATURES

- Quick fixing, lightweight and reusable
- Perfect for multiple pipework routes
- Wide tie width to protect pipe insulation
- Withstands maximum temperature of 70°C
- Available in 4 lengths
- Choice of white or black

### SPECIFICATIONS

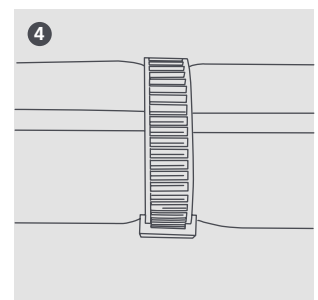
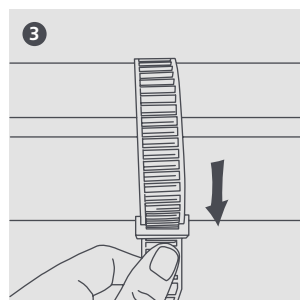
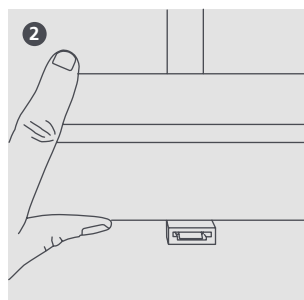
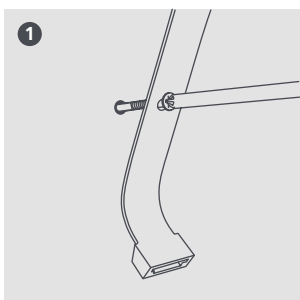
Materials of construction	LDPE
Max. temp	70°C
Max. rec. distance per clip	1.2m

### SIZING OPTIONS

Description	Dimensions	Part No.	Pack Qty
T250 White	250 x 20mm	B6411	10
T250 Black	250 x 20mm	B6551	10
T300 White	300 x 20mm	B6412	10
T300 Black	300 x 20mm	B6552	10
T350 White	350 x 20mm	B6413	10
T350 Black	350 x 20mm	B6553	10
T400 White	400 x 20mm	B6414	10
T400 Black	400 x 20mm	B6554	10



For further details please refer to our website [aspenpumps.com/xtra](http://aspenpumps.com/xtra)



Information correct at time of going to press.

EN



# SpeediDuct™ Trunking

D-70  
IVORY  
B6027

D-105  
IVORY  
B6026

D-70  
WHITE  
B6793

D-105  
WHITE  
B6794



## STRAIGHT DUCT

Code	Size (mm) A	Size (mm) B	Overall length (mm)	Qty boxed
D-70	70	65	2000	6
D-105	105	75	2000	6

WC-70  
IVORY  
B6050

WC-105  
IVORY  
B6049

WC-70  
WHITE  
B6789

WC-105  
WHITE  
B6790



## WALLS COVER FOR INLET OR OUTLET

Code	A	Size (mm) B	C	Qty boxed
WC-70	110	180	70.4	20
WC-105	145	190	105.4	20

DE-70  
IVORY  
B6031

DE-105  
IVORY  
B6030



## DUCT END

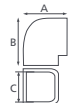
Code	A	Size (mm) B	C	Qty boxed
DE-70	120	45	70.4	20
DE-105	120	50	105.4	20

EB-70  
IVORY  
B6035

EB-105  
IVORY  
B6034

EB-70  
WHITE  
B6777

EB-105  
WHITE  
B6778



## 90° ELBOW BEND

Code	A	Size (mm) B	C	Qty boxed
EB-70	95	95	70.4	20
EB-105	110	110	105.4	20

EIN-70  
IVORY  
B6037

EIN-105  
IVORY  
B6036

EIN-70  
WHITE  
B6779

EIN-105  
WHITE  
B6780



## ELBOW – EXTERNAL 90°

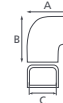
Code	A	Size (mm) B	C	Qty boxed
EIN-70	95	95	70.4	20
EIN-105	110	110	105.4	20

FB-70  
IVORY  
B6039

FB-105  
IVORY  
B6038

FB-70  
WHITE  
B6781

FB-105  
WHITE  
B6782



## 90° FLAT BEND

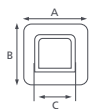
Code	A	Size (mm) B	C	Qty boxed
FB-70	115	115	70.4	20
FB-105	150	150	105.4	20

WR-70  
IVORY  
B6053

WR-105  
IVORY  
B6052

WR-70  
WHITE  
B6791

WR-105  
WHITE  
B6792

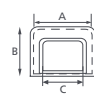


## WALL ROSETTE

Code	A	Size (mm) B	C	Qty boxed
WR-70	115.4	110.4	70.4	20
WR-105	150.4	120.4	105.4	20

RJ-70-105  
IVORY  
B6046

RJ-70-105  
WHITE  
B6787

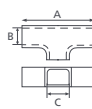


## REDUCER JOINT

Code	A	Size (mm) B	C	Qty boxed
RJ-70-105	105.4	80.4	70.4	20

TJ-105  
IVORY  
B6048

TJ-105  
WHITE  
B6788



## T-JOINT

Code	A	Size (mm) B	C	Qty boxed
TJ-105	200	105.4	105.4	20

FR-70  
IVORY  
B6045

FR-105  
IVORY  
B6044

FR-70  
WHITE  
B6785

FR-105  
WHITE  
B6786

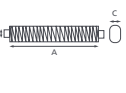


## FLAT ROSETTE

Code	A	Size (mm) B	C	Qty boxed
FR-70	115.4	110.4	70.4	20
FR-105	150.4	120.4	105.4	20

FJ-70  
IVORY  
B6043

FJ-105  
IVORY  
B6042



## FLEXIBLE JOINT

Code	A	Size (mm) B	C	Qty boxed
FJ-70	500	65	65	20
FJ-105	500	100	100	20

DC-70  
IVORY  
B6029

DC-105  
IVORY  
B6028

DC-70  
WHITE  
B6773

DC-105  
WHITE  
B6774



## DUCT CAP

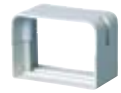
Code	A	Size (mm) B	C	Qty boxed
DC-70	70	65	2	20
DC-105	105	75	2	20

CP-70  
IVORY  
B6025

CP-105  
IVORY  
B6022

CP-70  
WHITE  
B6771

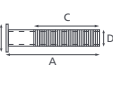
CP-105  
WHITE  
B6772



## CONNECTION PIECE

Code	A	Size (mm) B	C	Qty boxed
CP-70	75.4	70.4	70.4	20
CP-105	110.4	80.4	105.4	20

ING-341  
IVORY  
B6051



## WALL SLEEVE

Code	A	B	Size (mm) C	D	Qty boxed
ING-341	350	100	250	63	20

FB-70-45  
IVORY  
B6041

FB-105-45  
IVORY  
B6040



## 45° FLAT BEND

Code	Size (mm) A	Size (mm) B	C	Qty boxed
FB-70-45	92.58	145.5	70.4	20
FB-105-45	92.58	170.3	105.4	20

## FAST CLIPS

Code	
B6019	B6100



## CCY. CONNECTORS

Code	
B6021	



## ADP-96 DRAIN PIPE 50m

Code	
B6020	



CET. CLIPS Also available, Code: CET CLIP B6047.

For further details please refer to our website [aspenspumps.com/xtra](http://aspenspumps.com/xtra)

Information correct at time of going to press.

EN

NEW

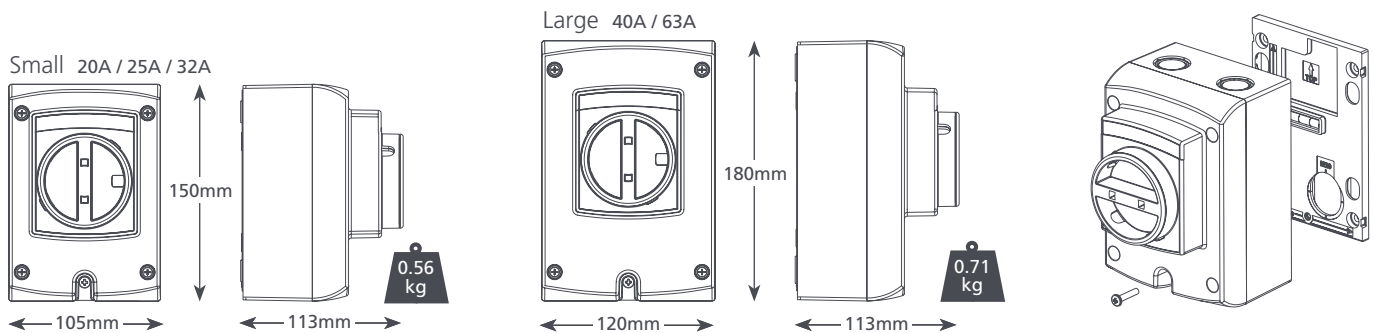


# Isolator

Designed with the installer in mind. Large range of models and separate back plate for installation ease.

## KEY FEATURES

- Separate back plate with spirit level for ease of installation
- 9 models available
- Surface mountable (with and without back plate)
- Removable switch for ease of wiring
- IP66 rated for interior and exterior use
- Lockable 'OFF' position (up to 2 padlocks) and 'ON' position (1 padlock), to prevent unauthorised access
- Fully compliant to IEC 60947-3
- 5 cable entry knock-outs



## SPECIFICATIONS

Rated	230V / 415V AC
IP Protection	IP66

## OPTIONS

Description	Part No.
3 pole 20A (Small)	AX6101/2
3 pole 32A (Small)	AX6102/2
3 pole 40A (Large)	AX6103/2
3 pole 63A (Large)	AX6104/2
4 pole 20A (Small)	AX6001/2
4 pole 25A (Small)	AX6005/2
4 pole 32A (Small)	AX6002/2
4 pole 40A (Large)	AX6003/2
4 pole 63A (Large)	AX6004/2

## IN THE BOX

Isolator • Back plate with spirit level  
 • M4 x 20mm screw • Install manual  
 • 2 x M20 glands & nuts (Small Isolator)  
 • 2 x M25 glands & nuts (Large Isolator)

For further details please refer to our website [aspenspumps.com/xtra](http://aspenspumps.com/xtra)

Information correct at time of going to press.



EN

# Fan Speed Controller

## KEY FEATURES

- Tune your system; ideal for use with single fan condenser units
- Controls head pressure of systems by increasing and reducing the fan speed balancing temperature of the condenser coil
- Available for cooling only
- Optional heat pump model for connection to the reversing valve
- Condenser temperature coil sensor



# Hi-level Water Sensor

## KEY FEATURES

- For utmost security!
- Can operate via float sensor
- Can be used in conjunction with most pumps that do not include high level safety
- Can operate via temperature sensor
- 2 levels of sensing – high and low, both with N.O, N.C & C



## SIZING OPTIONS

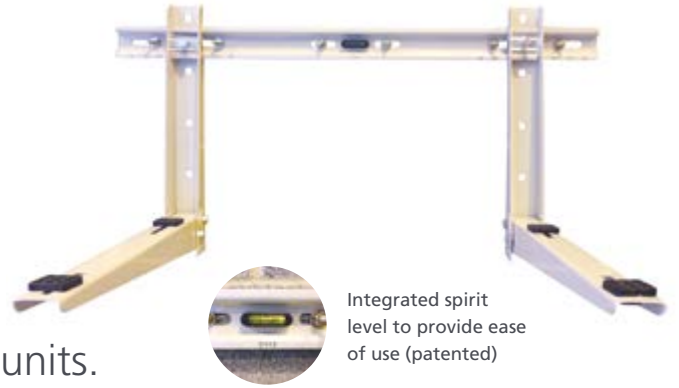
Description	Height (mm)	Width (mm)	Depth (mm)	Part No.
FSC Cooling	44	150	75	FP2094
FSC Heating	44	150	75	FP2095
Hi-Level Water Sensor	70	125	90	FP2098/1

EN

NEW

# Split Bracket

In three size options our Split Bracket supports even the heaviest of condenser units.



Integrated spirit level to provide ease of use (patented)

## KEY FEATURES

- 3 sizes to cover all applications. 60kg, 90kg & 140kg
- Galvanised steel & powder coated conforms to ISO 09227 corrosion test
- Heavy gauge for added strength
- Integrated spirit level for easy install
- High quality fixings supplied for secure installation
- Interlocking design part assembled for fast install
- Anti vibration pads as standard
- Bracket can be mounted using horizontal wall bar, or directly to the wall as bracket arm pairs
- Easy levelling on uneven walls, with adjustable bolt
- Suitable for use with all Aspen Xtra Drip Trays

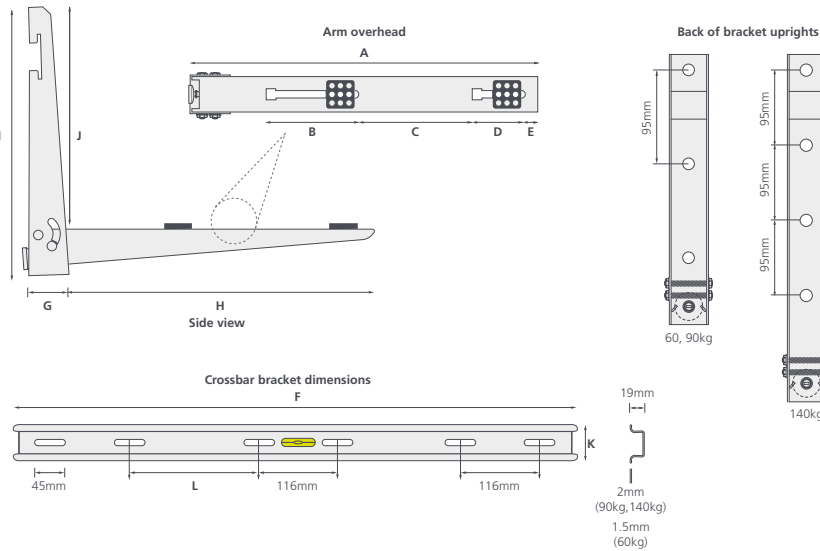
## SPECIFICATIONS

Materials of construction

Galvanised steel (powder coated)  
Conforms to ISO09227

## SIZING OPTIONS

Description	Max. Load	Height (mm)	Crossbar Width (mm)	Depth (mm)	Gauge	Part No.
Split Bracket 60kg	60kg	350	800	450	1.8mm	B6383
Split Bracket 90kg	90kg	350	800	550	1.8mm	B6384
Split Bracket 140kg	140kg	450	850	550	2.0mm	B6385



Built in wall bar spirit level



Hinged bracket arms for fast installation



Easy assembly continues our tradition of quick installation



Advanced Crossbar allows for even faster installation



Adjustment bolt provides up to 5 degrees of correction



Adjustable anti-vibration cushions with captive nut

Max Load	mm (inches)											
	A	B	C	D	E	F	G	H	I	J	K	L
60kg (132lbs)	450 (17 3/4)	105 (4 1/4)	165 (6 1/2)	74 (2 7/8)	15 (5/8)	800 (31 1/2)	55 (2 1/8)	405 (15 5/8)	350 (13 3/4)	285 (11 1/4)	55 (2 1/8)	180 (7 1/8)
90kg (198lbs)	550 (21 3/4)	105 (4 1/4)	165 (6 1/2)	74 (2 7/8)	15 (5/8)	800 (31 1/2)	55 (2 1/8)	505 (19 5/8)	350 (13 3/4)	355 (14)	55 (2 1/8)	180 (7 1/8)
140kg (309lbs)	550 (21 3/4)	105 (4 1/4)	235 (9 3/4)	95 (3 3/4)	15 (5/8)	850 (33 1/2)	65 (2 1/2)	500 (19 3/4)	450 (17 3/4)	375 (14 3/4)	55 (2 1/8)	205 (8 1/8)

Information correct at time of going to press.

For further details please refer to our website [aspenspumps.com](http://aspenspumps.com)

EN

# Composite Bracket

## KEY FEATURES

- Rust free – ideal where there is salty sea air
- 80kg maximum load
- Adjustable with 3 fixing points
- Fixing kit supplied
- Fast, easy 'snap on' leg assembly



# Galvanised Arm

## KEY FEATURES

- Industrial 41mm x 41mm channel
- Base of 130mm x 45mm
- 14mm diameter holes at 100mm centres
- 4600mm length available



## SPECIFICATIONS

Composite Bracket  
Materials of  
construction

Bracket: fibre  
reinforced nylon  
Crossbar: glass  
reinforced polyester

Galvanised Arm  
Materials of  
construction

Mild steel  
hot dipped  
galvanised

## SIZING OPTIONS

Description	Max. Load	Height (mm)	Width (mm)	Depth (mm)	Part No.
Composite Bracket Type 1	80kg	410	-	460	B6760
Composite Bracket Type 2	80kg	410	790	460	B6761
Galvanised Arm 600	183kg**	132	-	600	B6860

\* Point load 119kg  
\*\* Point load 92kg



For further details please refer to our website [aspenspumps.com/xtra](http://aspenspumps.com/xtra)

Information correct at time of going to press.



# Condensing Unit Block

Increases the ground clearance of heat pumps & air conditioning units by fitting on the blocks. Further height can be achieved by using Riser Blocks.



End cap  
Pt. B9381

## KEY FEATURES

- Rises your outdoor unit to 17cm
- Fitted with anti-vibration stripes to dampen sound and vibration
- UV-resitant PVC
- Perfect for condenser units

### CONDENSER CONNECTOR BLOCK SIZING OPTIONS

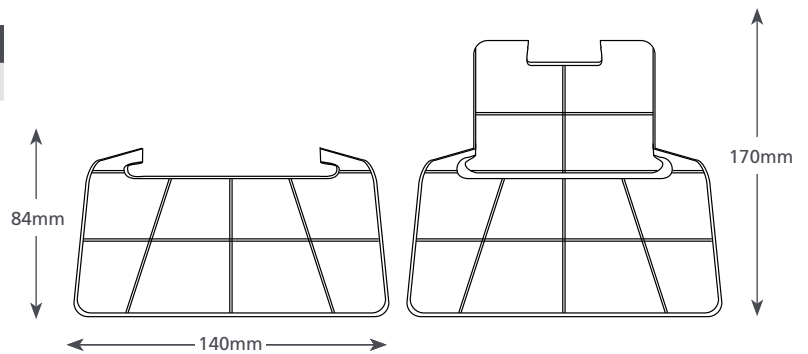
Description	Dimensions	Part No.	Pack Qty
450mm Black	105 X 86mm	B6658	12
1000mm Black	105 X 86mm	B6659	2

### SPECIFICATIONS

Materials of construction: UV-resistant PVC

### OPTIONAL BASE RISER BLOCK SIZING OPTIONS

Description	Dimensions	Part No.	Pack Qty
450mm Black	140 x 84mm	B6526	8
1000mm Black	140 x 84mm	B6528	2



For further details please refer to our website [aspenspumps.com/xtra](http://aspenspumps.com/xtra)

Information correct at time of going to press.



# Drip Tray

Condensing unit metal and plastic drip trays fit all Xtra brackets.

## KEY FEATURES

- Both available in two sizes
- Flat packed with all required fixings
- The metal drip tray is supplied with a 15mm Tank Connector
- Compatible with Aspen Xtra B-Quik brackets B6381, B6382



Pipe Connector for Condenser Drain Pan  
21.5mm OD / 19mm ID  
Pt. B6400 (Bag of 1)

### METAL DRIP TRAY SPECIFICATIONS

Materials of construction Galvanised mild steel, powder coated (ivory)

### METAL DRIP TRAY SIZING OPTIONS

Description	Height (mm)	Width (mm)	Depth (mm)	Part No.
Small	50	800	400	B6147
Large	50	1100	400	B6146

### PLASTIC DRIP TRAY SPECIFICATIONS

Materials of construction Rigid UV stabilised plastic

### PLASTIC DRIP TRAY SIZING OPTIONS

Description	Height (mm)	Width (mm)	Depth (mm)	Part No.
Type 1	30	790	390	B6591
Type 2	30	940	420	B6592

For further details please refer to our website [aspenspumps.com/xtra](http://aspenspumps.com/xtra)

Information correct at time of going to press.



# Condensing Unit Guard

Easy to install durable powder coated aluminium framework and steel panels.



## KEY FEATURES

- A range of 3 sizes
- Panels are removable to allow maintenance of the unit
- Adjustable feet to allow services at ground level
- Bottom panels and drip tray available for guard fixed at high level on wall
- Back panel available for free standing units
- Screws included

## SPECIFICATIONS

Materials of construction

Zinc passivated steel with powder coating (ivory)



Have you considered your unit mounting options...

Big Foot Systems

'Fix-it Foot', available in various sizes up to 1m.

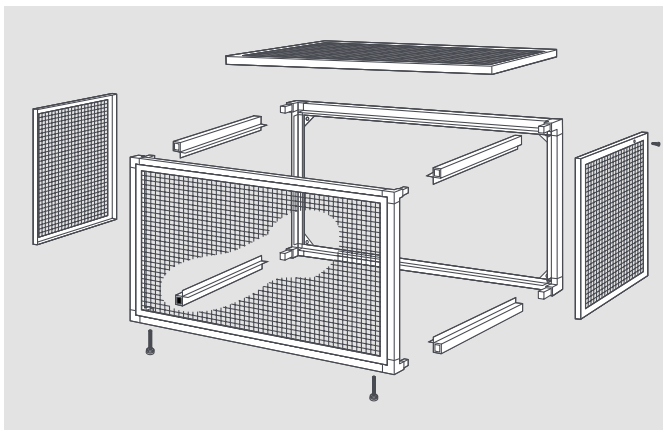


## SIZING OPTIONS

Size	Weight	Ext. Height (mm)	Ext. Width (mm)	Ext. Depth (mm)	Int. Height (mm)	Int. Width (mm)	Int. Depth (mm)	Part No.
Small	19kg	700	1000	450	600	900	350	B6192
Medium	28.5kg	1100	1100	600	1000	1000	500	B6191
Large	34kg	1400	1100	600	1300	1000	500	B6190

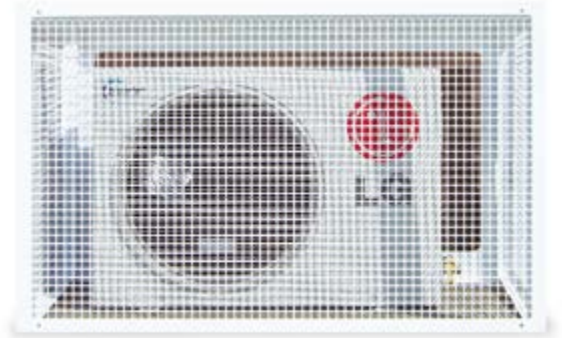
Individual panel part numbers:

Small front/back: Part No. B6404, Small top/bottom: Part No. B6406, Small sides: Part No. B6405  
 Medium front/back: Part No. B6401, Medium top/bottom: Part No. B6402, Medium sides: Part No. B6402  
 Large front/back: Part No. B6398, Large top/bottom: Part No. B6402, Large sides: Part No. B6399



For further details please refer to our website [aspenspumps.com/xtra](http://aspenspumps.com/xtra)

Information correct at time of going to press.



# Rapid Fit Guard

Rapid Fit Guards deter vandalism and prevent damage to valuable equipment whilst still quick to install.

## KEY FEATURES

- Simple and easy to install tab and slot design allows panels to connect
- Panels are removable to allow maintenance of the unit
- Includes 3 x tamper resistant screws
- Adjustable feet to allow services at ground level
- Bottom panels and drip trays available for guard fixed at high level on wall

## SPECIFICATIONS

Materials of construction

Zinc passivated steel with powder coating (ivory)



Have you considered your unit mounting options...

Big Foot Systems

'Fix-it Foot', available in various sizes up to 1m.



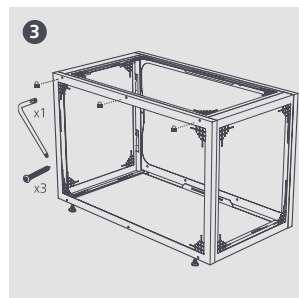
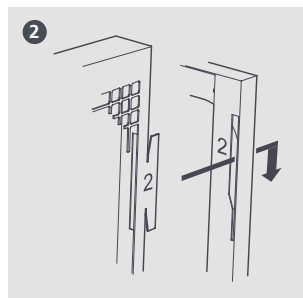
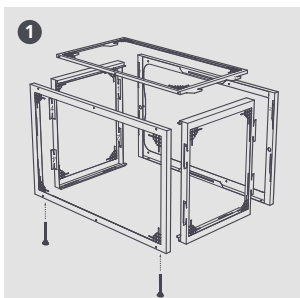
## SIZING OPTIONS

Size	Weight	Ext. Height (mm)	Ext. Width (mm)	Ext. Depth (mm)	Int. Height (mm)	Int. Width (mm)	Int. Depth (mm)	Part No.
Small	21kg	660	1052	572	600	900	500	B9163
Medium	29kg	1060	1152	572	1000	1000	500	B9164
Large	39kg	1360	1152	572	1300	1000	500	B9165

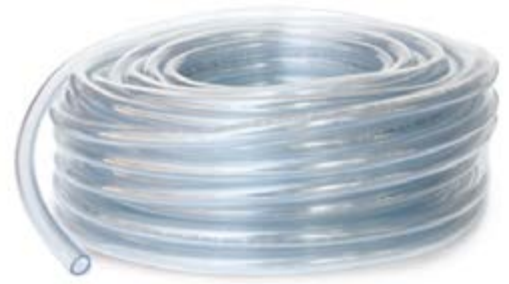
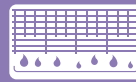
Bottom Panel – Small Guard: B9252  
Bottom Panel – Medium/Large Guard: B9255



For further details please refer to our website [aspenspumps.com/xtra](http://aspenspumps.com/xtra)



Information correct at time of going to press.



# Vinyl Tubing

Flexible, durable and non toxic – we have the most extensive range on the market.

## x30m CLEAR ROLLS

OPTIONS		
Size	Part No.	Pack Qty
1/4" (6mm)	AX5200	1
3/8" (10mm)	AX5201	1
1/2" (12mm)	AX5202	1



## x30m REINFORCED (BRAIDED) CLEAR ROLLS

OPTIONS		
Size	Part No.	Pack Qty
1/4" (6mm)	AX5100	1
3/8" (10mm)	AX5101	1
1/2" (12mm)	AX5102	1
5/8" (15mm)	AX5103	1



## x30m REINFORCED (BRAIDED) BLACK ROLLS

OPTIONS		
Size	Part No.	Pack Qty
1/4" (6mm)	AX5110	1
3/8" (10mm)	AX5111	1
1/2" (12mm)	AX5112	1
5/8" (15mm)	AX5113	1



CLEAR ROLL SPECIFICATIONS			
Working temp.	-10°C – 65°C		
Colour	Clear		
Diameter ID (mm)	1/4"	3/8"	1/2"
Diameter OD (mm)	6	10	12
Work Pressure (Bar)	10	14	16
Burst Pressure (Bar)	5	5	3
Fixed length (Metre)	15	15	9
Weight (Kg)	30	30	30
	2.01	3.00	3.55

REINFORCED (BRAIDED) ROLL SPECIFICATIONS				
Working temp.	-10°C – 65°C			
Colour	Clear/Black			
Diameter ID (mm)	1/4"	3/8"	1/2"	5/8"
Diameter OD (mm)	6	10	12	15
Work Pressure (Bar)	10	14	16	20
Burst Pressure (Bar)	8	8	6	7
Roll Length (Metre)	24	24	18	21
Weight (Kg)	30	30	30	30
	2.01	3.00	3.55	5.55

For further details please refer to our website [aspenpumps.com/xtra](http://aspenpumps.com/xtra)

Information correct at time of going to press.





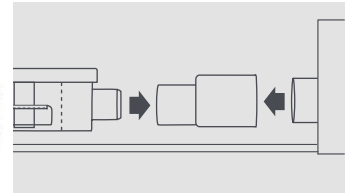
EN

# Connectors

## Mini Pump

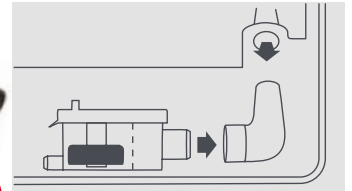
### RUBBER ADAPTOR TO CONNECT A DUCTED UNIT TO A MINI PUMP

OPTIONS				
Ducted AC outlet OD	Reservoir Pump OD	Ideal Use	Part No.	Pack Qty
20mm	16mm	Fits Mitsu Heavy	FP2001	3
25mm	16mm	Daikin, Mitsu Elec/Heavy, Panasonic, LG	FP2002	3
32mm	16mm	Daikin, Mitsu Elec/Heavy, Panasonic, LG	FP2003	3



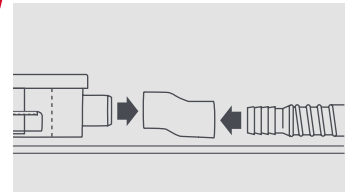
### 90° LONG ARM BEND TO CONNECT A WALL MOUNT TO MINI PUMP RESERVOIR

OPTIONS				
Drip tray outlet OD	Reservoir Pump OD	Ideal Use	Part No.	Pack Qty
12mm	16mm	LG wall mount and floor mount	FP2006	3
16mm	16mm	Wall mount and floor mount	FP2056	3



### OFFSET CONNECTOR FOR A WALL MOUNT TO MINI PUMP RESERVOIR

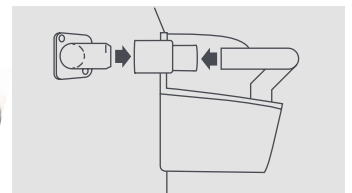
OPTIONS				
Drip tray outlet OD	Reservoir Pump OD	Ideal Use	Part No.	Pack Qty
16mm	16mm	Can be used universally	FP1024	5



## Tank Pump

### RUBBER ADAPTOR TO CONNECT A CASSETTE UNIT CONDENSATE DRAIN PIPE TO A TANK PUMP

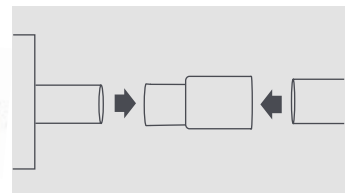
OPTIONS				
Cassette outlet OD	Overflow pipe OD	Ideal Use	Part No.	Pack Qty
16mm	21mm	Fits LG units	FP2011	3
26mm	21mm	Daikin, Panasonic	FP2012	3
32mm	21mm	Daikin, Mitsu Elec/Heavy, Panasonic, LG	FP2013	3



## Pipe to Pipe

### RUBBER ADAPTOR TO CONNECT 21mm OVERFLOW PIPE TO WASTE PIPE

OPTIONS				
Overflow pipe OD	Waste pipe OD	Ideal Use	Part No.	Pack Qty
21mm	25mm	Reducing or enlarging pipe diameters	FP2016	3
21mm	32mm	Reducing or enlarging pipe diameters	FP2017	3
21mm	40mm	Reducing or enlarging pipe diameters	FP2018	3



Note: All connectors should be fitted with the relevant cable ties

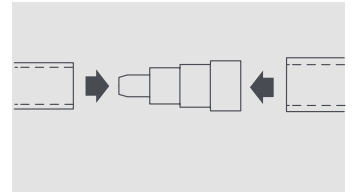
Information correct at time of going to press.

EN

# Tube & connector fittings

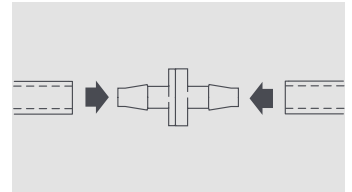
## Adaptors/Straight Connectors

OPTIONS			
Size	Ideal Use	Part No.	Pack Qty
6mm – 10mm	1/4" to 3/8"	FP2020	5
6mm, 10mm or 12mm to 16mm	1/4" or 3/8" or 5/8" to 1/2"	FP2632	5



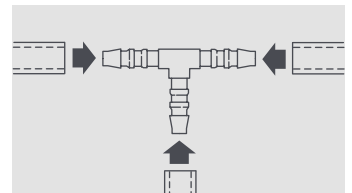
## Non-return Valves

OPTIONS			
Size	Ideal Use	Part No.	Pack Qty
6mm (1/4")	Prevents backflow of water	FP2628	5
10mm (3/8")	Prevents backflow of water	FP2630	5



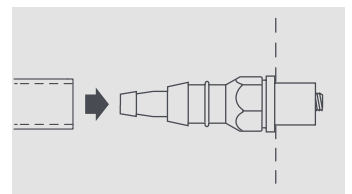
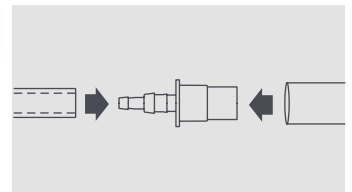
## Hose to Hose

OPTIONS			
Size	Ideal Use	Part No.	Pack Qty
6mm (1/4")	Equal "T" Connector	FP2024	5
6mm (1/4")	Elbow Connector	FP2028	5
6mm (1/4")	Straight Connector	FP2622	5
10mm (3/8")	Equal "T" Connector	FP2030	5
10mm (3/8")	Elbow Connector	FP2032	5
10mm (3/8")	Straight Connector	FP2624	5
12mm (1/2")	Equal "T" Connector	FP2035	5
12mm (1/2")	Elbow Connector	FP2037	5
12mm (1/2")	Straight Connector	FP2039	5
15mm (5/8")	Equal "T" Connector	FP2041	5
15mm (5/8")	Elbow Connector	FP2043	5
15mm (5/8")	Straight Connector	FP2045	5



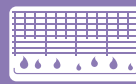
## Hose to Overflow or Waste/Soil Pipe

OPTIONS			
Size	Ideal Use	Part No.	Pack Qty
6mm (1/4") or 10mm (3/8") – 21mm overflow pipe	Hose to Overflow	FP2040	3
6mm (1/4") or 10mm (3/8") – self sealing adaptor	Hose to Waste/Soil Pipe (Drill hole to 11.5mm diameter)	FP2038	3



Note: All connectors should be fitted with the relevant cable ties

Information correct at time of going to press.



CONDENSATE MANAGEMENT

EN

# Xtra Rigid Pipe & pipe fittings



A range of high grade UPVC rigid HVAC/R condensate discharge pipe. With a superior internal smooth finish providing a low coefficient of flow friction which will help prevent build-up of debris, bacteria and blockages.

## KEY FEATURES

- Complies with BS3505, MS628, SIRIM & SPAN listed
- Specifically designed and manufactured for the industry
- Greater wall thickness
- Smooth internal bore
- Greater rigidity requiring less supports
- Resistant to freezing & cracking
- Superior quality product for a more professional installation

## SPECIFICATIONS

Colour	White or Black
Material	UPVC (unplasticized polyvinyl chloride)
Impact strength (Izod)	6 kg-cm/cm <sup>2</sup>
Flame resistance	Self extinguishing
System type	Solvent weld

white or black available

## PIPE x2.9M LENGTHS

Size	Part No.		Pack Qty
	White	Black	
3/4" – 15mm ID 21.5mm OD	B7501	B7617	20
1" – 20mm ID 26.7mm OD	B7502	B7618	20
1 1/4" – 25mm ID 33.6mm OD	B7503	B7619	10



## 45° ELBOW

Size	Part No.		Pack Qty
	White	Black	
3/4" – 15mm ID 21.5mm OD	B7521	B7623	5
1" – 20mm ID 26.7mm OD	B7522	B7624	5
1 1/4" – 25mm ID 33.6mm OD	B7523	B7625	5



## STRAIGHT CONNECTOR

Size	Part No.		Pack Qty
	White	Black	
3/4" – 15mm ID 21.5mm OD	B7541	B7629	5
1" – 20mm ID 26.7mm OD	B7542	B7630	5
1 1/4" – 25mm ID 33.6mm OD	B7543	B7631	5



## 90° ELBOW

Size	Part No.		Pack Qty
	White	Black	
3/4" – 15mm ID 21.5mm OD	B7511	B7620	5
1" – 20mm ID 26.7mm OD	B7512	B7621	5
1 1/4" – 25mm ID 33.6mm OD	B7513	B7622	5



For further details please refer to our website [aspenspumps.com/xtra](http://aspenspumps.com/xtra)

Information correct at time of going to press.

EN

# Xtra Rigid Pipe & pipe fittings

white or black available



## REDUCING SOCKET

Size	Part No.		Pack Qty
	White	Black	
3/4" - 1"	B7581	B7641	5
3/4" - 1 1/4"	B7582	B7642	5
1" - 1 1/4"	B7583	B7643	5



## RODDING FITTING

Size	Part No.		Pack Qty
	White	Black	
1 1/4"	B7653	B7654	2



## UPVC PIPE STUD CLIP\*

Size	Part No.		Pack Qty
	White	Black	
3/4"	B7613	B7649	10
1"	B7612	B7648	10
1 1/4"	B7611	B7647	10



## UPVC PIPE SURFACE CLIP\*

Size	Part No.		Pack Qty
	White	Black	
3/4"	B7616	B7652	10
1"	B7615	B7651	10
1 1/4"	B7614	B7650	10



## BARREL UNION

Size	Part No.		Pack Qty
	White	Black	
3/4" - 15mm ID 21.5mm OD	B7551	B7632	5
1" - 20mm ID 26.7mm OD	B7552	B7633	5
1 1/4" - 25mm ID 33.6mm OD	B7553	B7634	5



## REDUCING BUSH

Size	Part No.		Pack Qty
	White	Black	
3/4" - 1"	B7591	B7644	5
3/4" - 1 1/4"	B7592	B7645	5
1" - 1 1/4"	B7593	B7646	5



## FEMALE THREADED SOCKET

Size	Part No.		Pack Qty
	White	Black	
3/4" - 15mm ID 21.5mm OD	B7561	B7635	5
1" - 20mm ID 26.7mm OD	B7562	B7636	5
1 1/4" - 25mm ID 33.6mm OD	B7563	B7637	5



## EQUAL TEE

Size	Part No.		Pack Qty
	White	Black	
3/4" - 15mm ID 21.5mm OD	B7531	B7626	5
1" - 20mm ID 26.7mm OD	B7532	B7627	5
1 1/4" - 25mm ID 33.6mm OD	B7533	B7628	5



## MALE THREADED SOCKET

Size	Part No.		Pack Qty
	White	Black	
3/4" - 15mm ID 21.5mm OD	B7571	B7638	5
1" - 20mm ID 26.7mm OD	B7572	B7639	5
1 1/4" - 25mm ID 33.6mm OD	B7573	B7640	5



\*The clips should be shielded from direct sunlight to maintain longevity of the installation

Information correct at time of going to press.



For further details please refer to our website [aspenspumps.com/xtra](http://aspenspumps.com/xtra)



SERVICING

EN

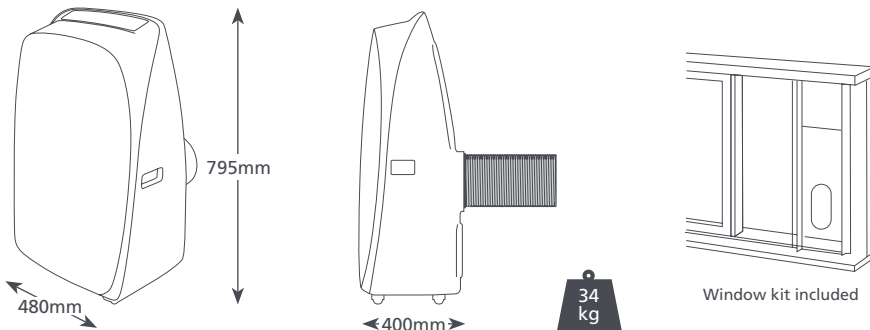
# Portable Air Conditioning Unit

A portable AC unit with airflow adjustment, sleep & eco settings and a timer mode, meaning you can keep at a comfortable temperature wherever you are!



## KEY FEATURES

- Cooling/heating and cooling models
- Heating\*, Cooling, Auto, Fan and Dehumidify
- Large Colour Digital Display
- Remote control
- Sleep, Eco and Timer modes
- Airflow adjustment
- Auto restart
- Infra red remote control
- Discharge hose with window & wall kit
- Self evaporating condensate system



SPECIFICATIONS	
Cooling capacity	12,000Btu/h – 3.5kW
Heating capacity	9,700Btu/h – 3.3kW*
Power supply	230v 50 / 60 Hz 6A
Temperature range	16-35°C
Sound level	62dB(A)
Power cable	1.9m with plug
Flexi outlet tube	135mm i/d, 147mm o/d, 1.8m length

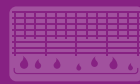
\* Heating model only

OPTIONS	
Description	Part No.
Cooling only (UK)	AX3000/1
Cooling & Heating (UK)	AX3005/1
Cooling only (EU)	AX3001/1
Cooling & Heating (EU)	AX3006/1



For further details please refer to our website [aspenspumps.com/xtra](http://aspenspumps.com/xtra)

Information correct at time of going to press.



SERVICING



# Accessories Kit

Designed to make life easier for installers and service engineers! With compartments chosen by you, this really is an essential piece of kit to have near. The toolbox comes with an illustrated guide on an outer card die-cut case, plus refill information.



product may differ to photo



## KEY FEATURES

- 12 compartments contain a range of Xtra accessories
- Choose AX0005 or request your own selection
- Helps your professional install
- Accessories Kit is a robust toolkit and comes in outer card die-cut box for storage protection

### SPECIFICATIONS

Height	355mm (14") Handle down 400mm (15.8") Handle up
Width	440mm (17.3")
Depth	79mm (3.1")
Weight	3kg (6.4 lbs.)
Compartments	12

### OPTIONS

Description	Part No.
Xtra Accessories Kit	AX0005

### IN THE KIT

6mm Straight Connector x5 • 10mm straight connector x5 • Self Sealing Soil Pipe Adaptor x3 • 21mm to 25mm Pipe Adaptor x3 • 21mm to 32mm Pipe Adaptor x3 • Straight Reducer 3/8" (10mm) to 1/4" (6mm) x5 • Tank Pump Connector 32mm to 21mm x3 • Tank Pump Connector 26mm to 21mm x3 • 1/4" (6mm) Elbow Connector x5 • 3/8" (10mm) Elbow Connector x5 • Tube Adaptors 21.5mm to 10mm or 6mm Flexible Tube x3 • Mini Pump Connectors 16mm – 25mm x3 • Mini Pump Connectors 16mm – 32mm x3 • 1/4" (6mm) Equal "T" Connector x5 • 3/8" (10mm) Equal "T" Connector x5 • Sortimo Toolbox x1



For further details please refer to our website [aspenspumps.com/xtra](http://aspenspumps.com/xtra)

Information correct at time of going to press.



CONTACT THE ENGINEER

HAVE ANY COMMENTS?  
NEED ANY ADVICE?

@aspenspumps.com



[aspenspumps.com/xtra](http://aspenspumps.com/xtra)

+44 (0)1323 848842

[xtra@aspenspumps.com](mailto:xtra@aspenspumps.com)

the installer's choice



# Tech Pro Pac<sup>®</sup> tool bags

Designed for the HVAC/R technicians' tools and working environment. The Tech Pro Pac tool bags are built to last.



AX3501 TECH-PAC

## KEY FEATURES

- Tough plastic handles
- Heavy duty fastenings and zips
- Hinged ergonomic handles
- Waterproof base (3mm polypropylene)
- Weatherproof body fabric (1800 PVC impregnated denier fabric)
- Large tool pockets
- Small punch & bit pockets
- Small neoprene pockets

## SPECIFICATIONS

Part No.	Product name	Width	Length	Height	Weight	Pocket count
AX3500	Tech LC	241mm (9.5")	342mm (13.5")	483mm (19") (330mm (13") handle down)	3.2kg (7.2 lbs.)	53
AX3501	Tech Pac	251mm (9.875")	362mm (14.25")	546mm (21.5") (457mm (18.125") handle down)	4kg (9 lbs.)	56
AX3502	Tech Pac LT	216mm (8.5")	356mm (14")	483mm (19")	3.3kg (7.4 lbs.)	27
AX3503	Tech XL	241mm (9.5")	419mm (16.5")	527mm (20.75")	4.2kg (9.4 lbs.)	80
AX3506	MC	203mm (8")	254mm (10")	317.5mm (12.5")	1.8kg (4 lbs.)	20
AX3513	MCT	210mm (8")	260mm (10")	360mm (14")	2.6kg (5.8 lbs.)	44
AX3509	OT-LC	241mm (9.5")	343mm (13.5")	305mm (12") handle down	3.5kg (7.8 lbs.)	36



AX3500 TECH-LC



AX3502 TECH PAC LT



AX3503 TECH-XL



AX3506 MC



AX3513 TECH MCT



AX3509 OT-LC



Full technical sheets for the entire Veto Pro Pac tool bags range are available to download at [www.aspenpumps.com/xtra](http://www.aspenpumps.com/xtra)

Bags supplied without tools. 5 year zero downtime warranty. Terms and conditions apply.



For further details please refer to our website [aspenpumps.com/xtra](http://aspenpumps.com/xtra)

Information correct at time of going to press.

EN

# Tech Pro Pac<sup>®</sup> utility pouches

Small yet spacious, these clip-on bags are designed to hold a small selection of meters, analysers and repair tools.



AX3505 TP4

## KEY FEATURES

- Organise multiple job specific bags
- Heavy duty fastenings and clips
- Detachable rubber handles
- Can clip onto any model Veto tool bag's tape clip or D-Rings
- Weatherproof body fabric (600-1200 PVC impregnated denier fabric)
- Nylon plastic connection clips
- Various size Tool pockets
- 5 year zero downtime warranty\*

## SPECIFICATIONS

Part No.	Product name	Width	Length	Height	Weight	Pocket count
AX3504	TP3	121mm (4.75")	140mm (5.5")	241mm (9.5")	0.36kg (0.79 lbs.)	19
AX3505	TP4	177mm (7")	120mm (4.75")	240mm (9.5")	0.72kg (1.6 lbs.)	20
AX3507	MB Meter Tool Pouch	76mm (3")	203mm (8")	229mm (9")	0.9kg (2 lbs.)	10
AX3508	MB2 Meter Tool Pouch	76mm (3")	203mm (8")	330mm (13")	0.9kg (2 lbs.)	10



AX3504 TP3



AX3507 MB



AX3508 MB2



Full technical sheets for the entire Veto Pro Pac tool bags range are available to download at [www.aspenpumps.com/xtra](http://www.aspenpumps.com/xtra)

Bags supplied without tools. 5 year zero downtime warranty. Terms and conditions apply.

For further details please refer to our website [aspenpumps.com/xtra](http://aspenpumps.com/xtra)

Information correct at time of going to press.





ANCILLARIES



# Fast Clip

## KEY FEATURES

- Clips onto the fixed rail inside ducts
- Keep tubing in place during install
- Standard packing without cable binder
- Compatible with SpeediDuct™ and Optimal trunking



Part No.

B6019 (bag of 100)

B6100 (bag of 10 plus Tie)

# Condensate Traps

## KEY FEATURES

- Easy to install for air handling units with 3/4" female outlets
- Use on any residential or commercial air conditioning system
- Easy inspection, transparent trap
- High level safety switches
- Compatible to Aspen Xtra Rigid Pipe range

## OPTIONS

Size	Part No.	
3/4" (Economy)	EZT-113B	FP2462
3/4" (Waterless)	EZT-150	FP2463
3/4" (Economy and Overflow Switch)	EZT-210	FP2464
3/4" Slip Fit (Close coupled overflow switch)	EZT-226	FP2465



EZT-113B



EZT-150



EZT-210



EZT-226



For further details please refer to our website [aspenpumps.com/xtra](http://aspenpumps.com/xtra)

Information correct at time of going to press.





ANCILLARIES

EN

# Pump accessories

## Peristaltic Pumps

### SPARE HEAD TUBE KIT

Part No.  
FP1282



(Bag of 1)

### ROTOR ASSEMBLY

Part No.  
SA1382



### SILICON GREASE 100g

Part No.  
2457



### FRONT HOUSING

Part No.  
1159



### BACK PLATE

Part No.  
SA1161



### PUMP BRACKET

Part No.  
2716  
(Universal/Standard)



### 2m STANDARD PLUG-IN CABLE

Part No.  
1523/1



### 3m UNIVERSAL PLUG-IN CABLE

Part No.  
1573/1



### PUMP BRACKET

Part No.  
1553/1  
(Mechanical/MK4)



## Mini Pumps

### 4.3m MINI ORANGE CABLE EXT. KIT

Part No.  
FP2940



### MINI BLANC IVORY COVER

Part No.  
FP1037



### MINI LIME INLET HOSE LENGTH

Part No.  
2472 (1m) / 2419 (25m)  
(14mm I/D and 19mm O/D)



### DRAIN TRAY CONNECTOR 16mm

Part No.  
FP2626



(Reservoir connector, 18,16 and 14mm pipe fitting)

### INLINE FILTER 3/8" / 10mm

Part No.  
FP2638



(bag of 3)

### 1 AMP FUSE AND HOLDER

Part No.  
FP2620  
(Bag of 2)



### INLINE FILTER 1/4" / 6mm

Part No.  
FP2636



(bag of 3)

### INLINE FILTER MICRO-V i<sup>4</sup>

Part No.  
FP2647



(bag of 3)

### INLINE FILTER 16mm

Part No.  
FP2640  
(bag of 3)



## Cleaning and General

### ACID NEUTRALISER

Part No.  
FP1021



(box of 1. more information on page 82)

### STAYCLEAN STRIP

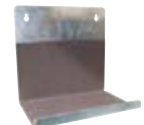
Part No.  
FP1248



(bag of 3)

### TANK PUMP BRACKET

Part No.  
SA1115  
(Hi-flow, Hi-lift)



For further details please refer to our website [aspenspumps.com/xtra](http://aspenspumps.com/xtra)

Information correct at time of going to press.



[aspenspumps.com/xtra](http://aspenspumps.com/xtra)

+44 (0)1323 848842

[xtra@aspenspumps.com](mailto:xtra@aspenspumps.com)

the installer's choice



ANCILLARIES

EN

# Acid Neutraliser

## KEY FEATURES

- For treating harmful condensates created in condensing boilers
- For domestic boilers up to 45kW
- Fits in line with the 22mm ø condensate outlet pipe from domestic boilers
- Environmentally friendly; no chemicals
- Active contents work for 1 year\* (reminder sticker for boiler included)
- Contains naturally occurring calcium carbonate (limestone)
- Compression fittings provide watertight seal and allow for easy replacement



Part No.

FP1021 (box of 1)

## SPECIFICATIONS

Max water flow	1Ltr/minute
Max pressure	2 bar (70psi)
Diameter	41.5mm ø max
Length	260mm
Contents weight	150g
Total weight	250g
Max temp.	80°C

\* Typical lifetime based on domestic boilers up to 45kW. Lifetime depends on boiler efficiency (volume of condensate and PH level).



For further details please refer to our website [aspenspumps.com/xtra](http://aspenspumps.com/xtra)

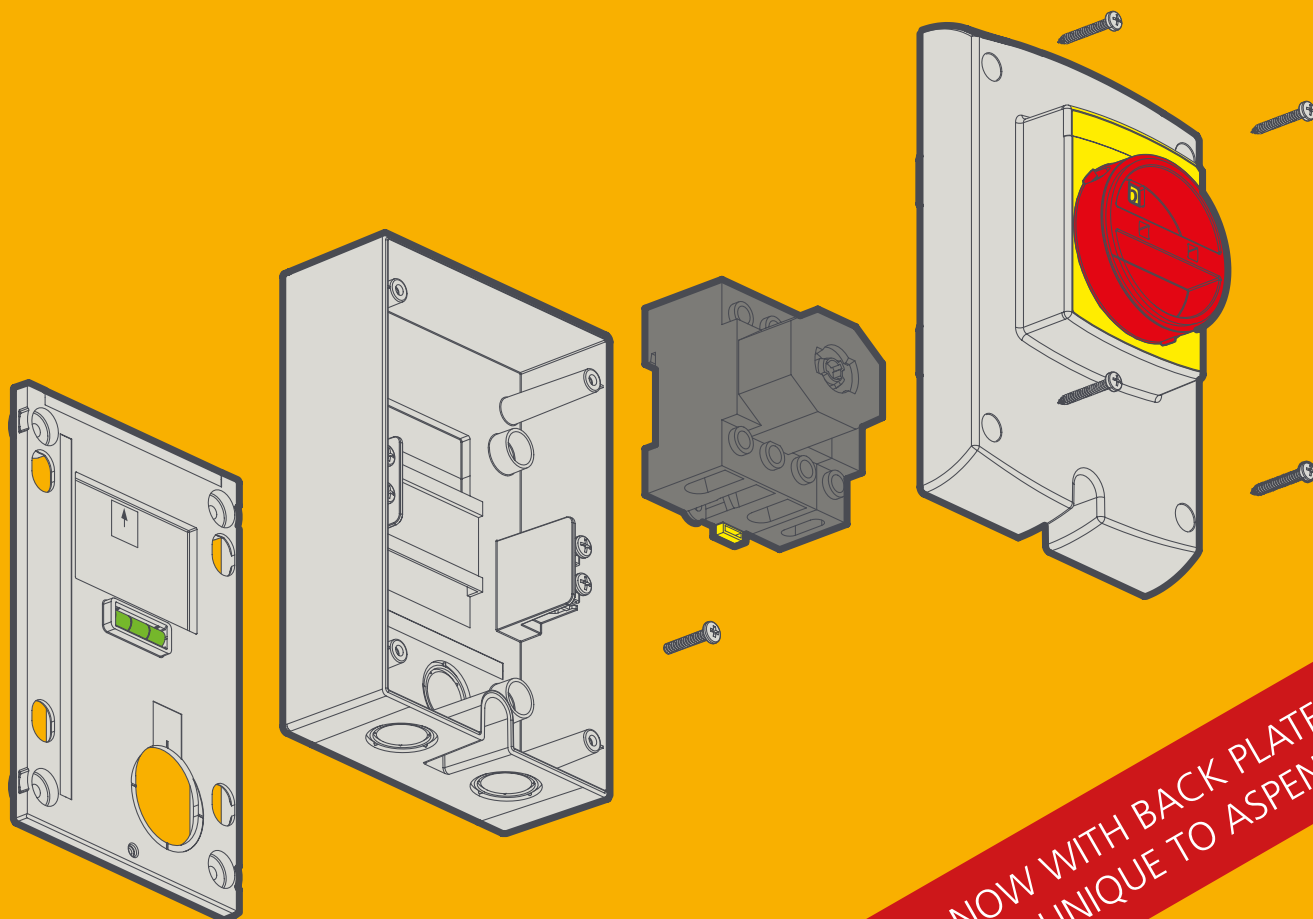
Information correct at time of going to press.



# DON'T JUDGE AN ISOLATOR BY IT'S COVER!



- Separate back plate with spirit level for ease of installation
- 9 Isolator models available in large and small
- Surface mountable (with/without back plate)
- Removable switch for ease of wiring
- IP66 rated for interior and exterior use



NOW WITH BACK PLATE  
— UNIQUE TO ASPEN



[ASPENPUMPS.COM/XTRA](http://ASPENPUMPS.COM/XTRA)  
designed by engineers for engineers

Follow us on

